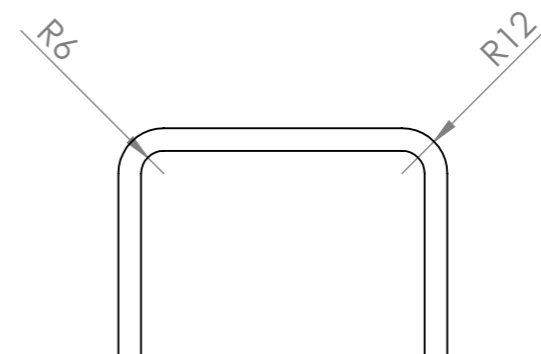
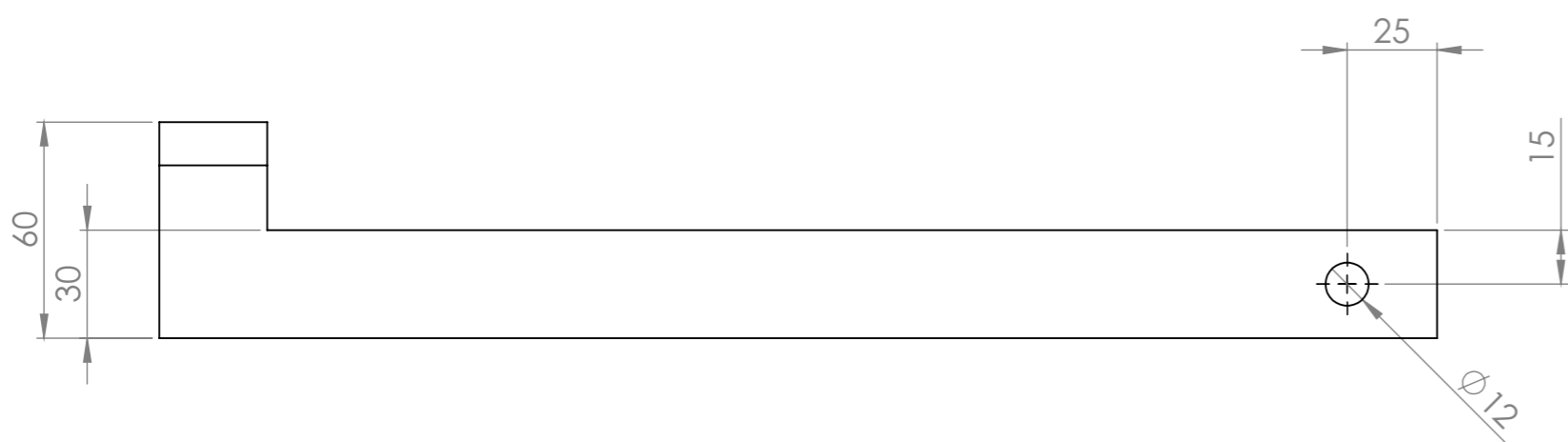
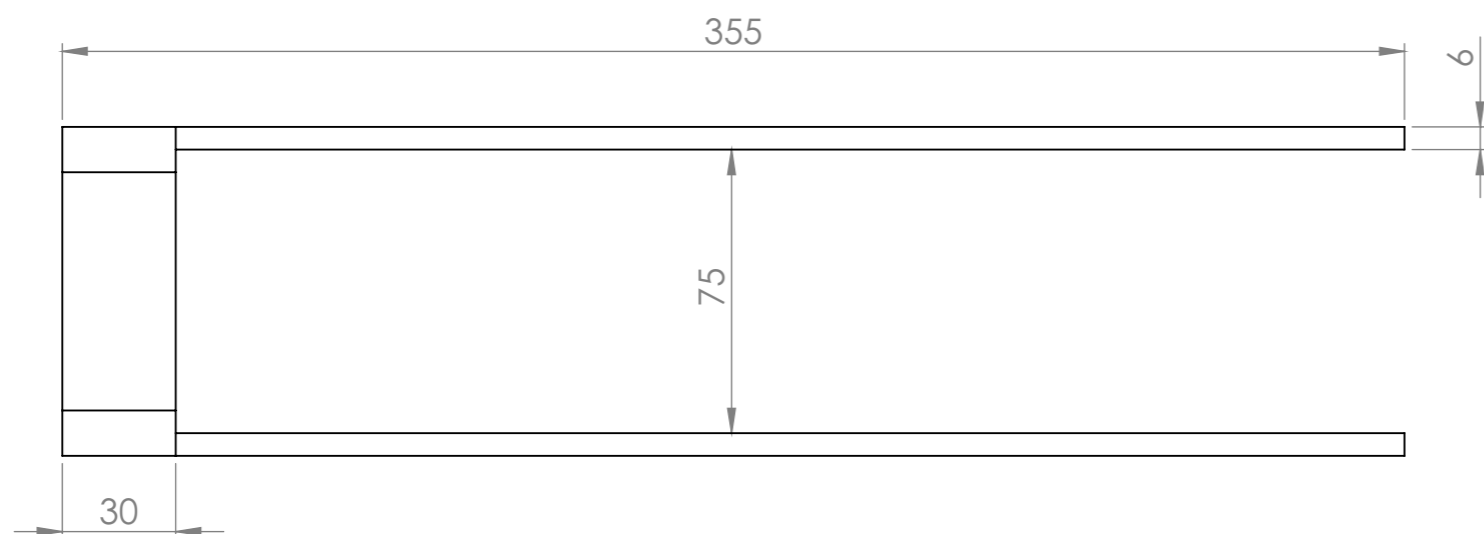
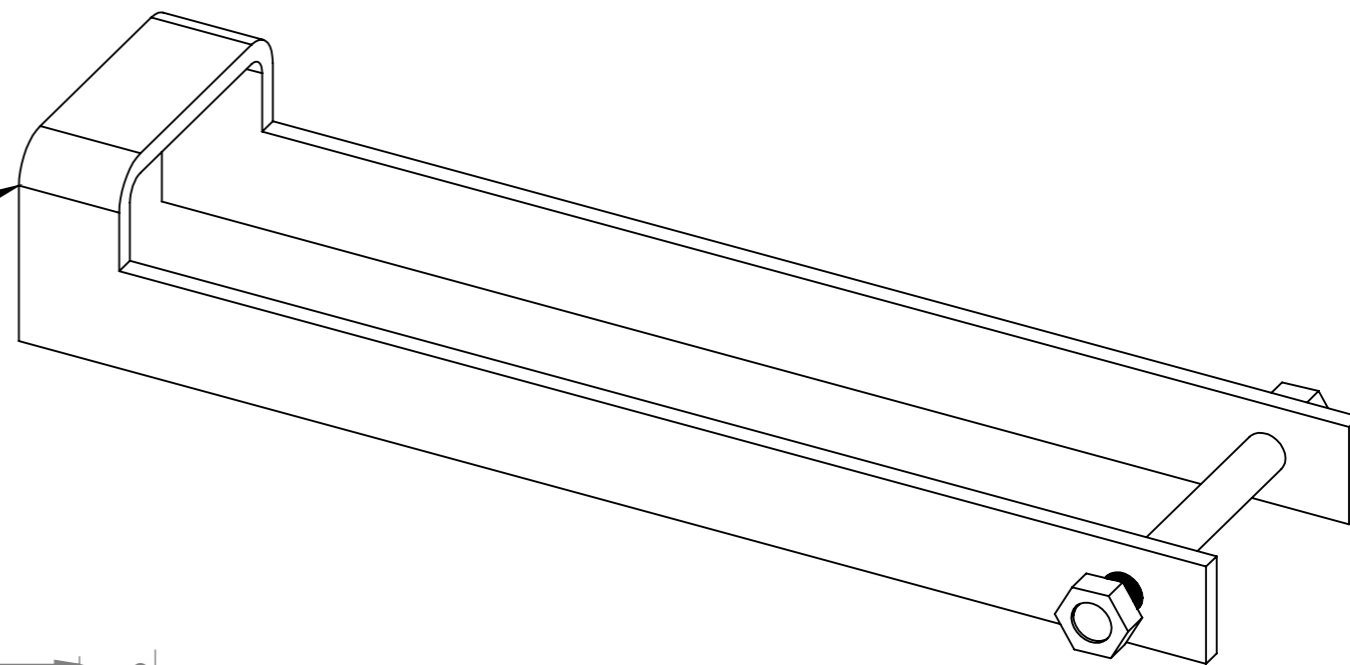


Throw Over Loop
 Mild Steel - Self Colour Galvanised



UNLESS OTHERWISE STATED DIMENSIONS ARE IN MILLIMETRES (MM)		COMPANY: A PERRY & CO. (HINGES) LTD.	
PRODUCT MODEL No. 156M 0350			
DRAWN BY: GRAEME SERVICE	SCALE 1:2 DATE: 15/10/2010		