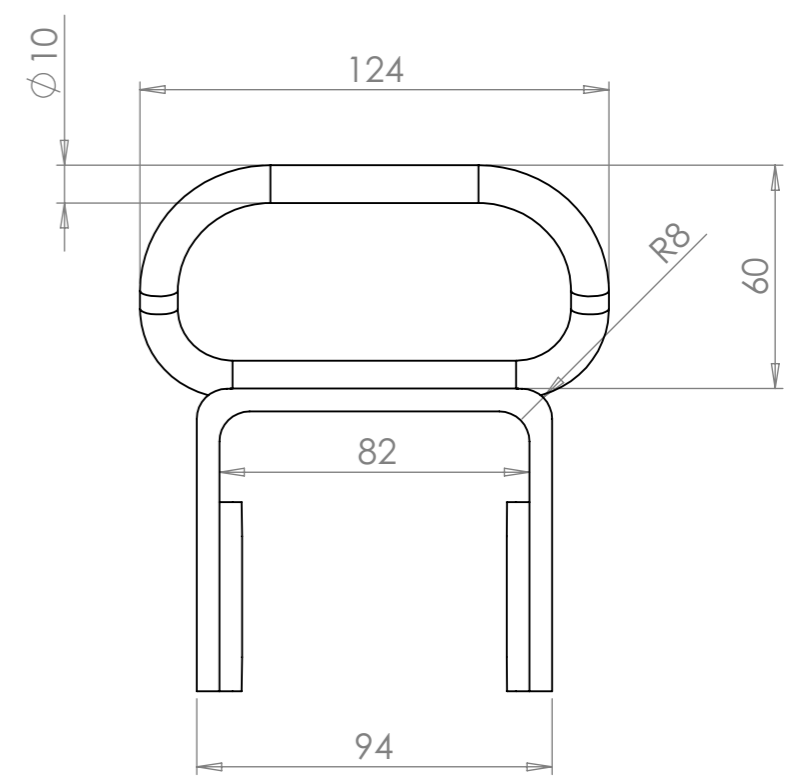
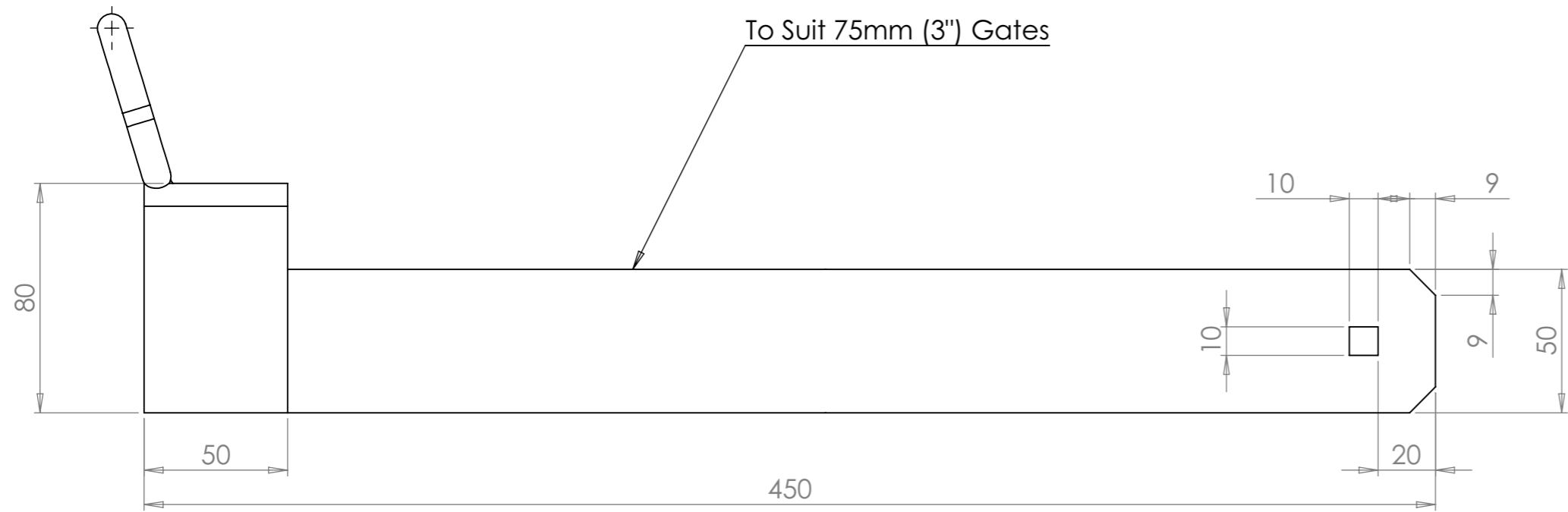


Mild Steel Galvanised
To Suit 75mm (3") Gates



UNLESS OTHERWISE STATED DIMENSIONS ARE IN MILLIMETRES (MM)		COMPANY: A PERRY & CO. (HINGES) LTD.	
PRODUCT MODEL No. 157S			
DRAWN BY: GRAEME SERVICE	SCALE 1:2 DATE: 08/09/2010		