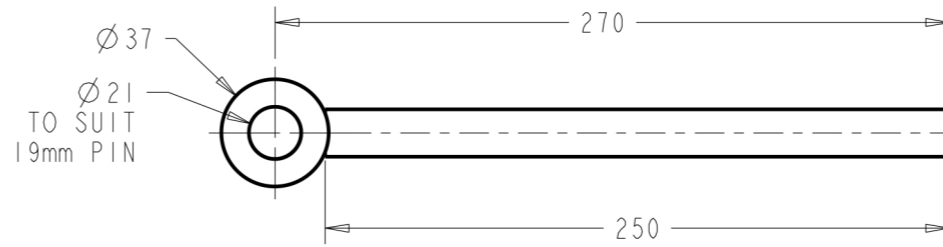
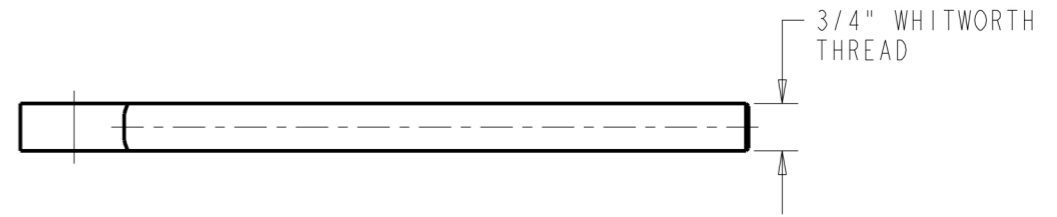
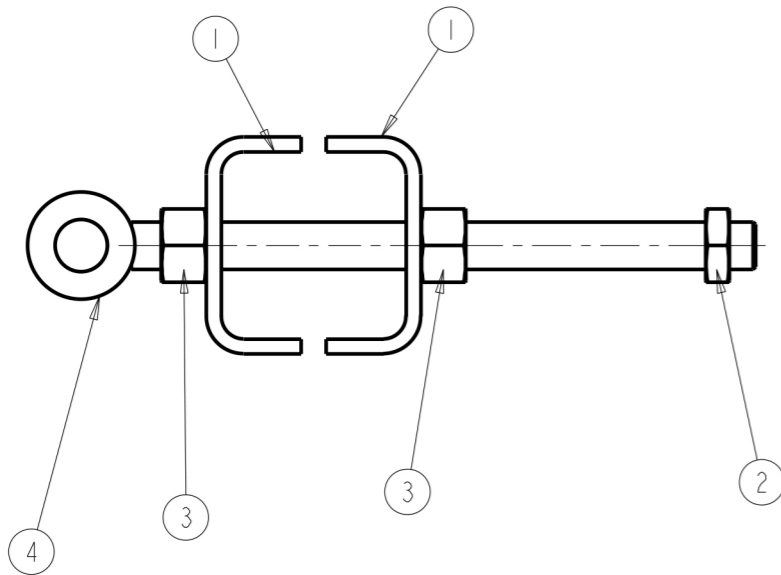
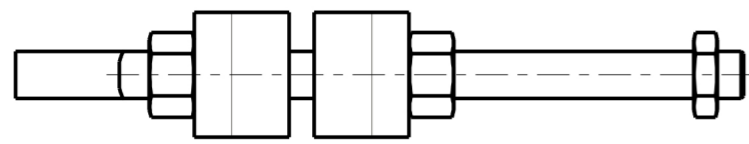


4

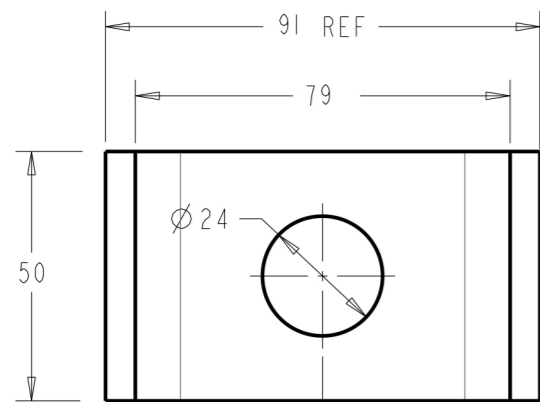
3

2

1

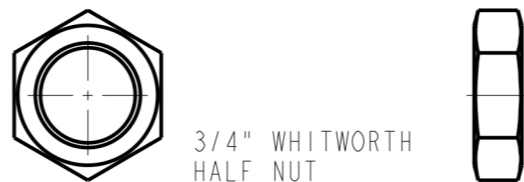
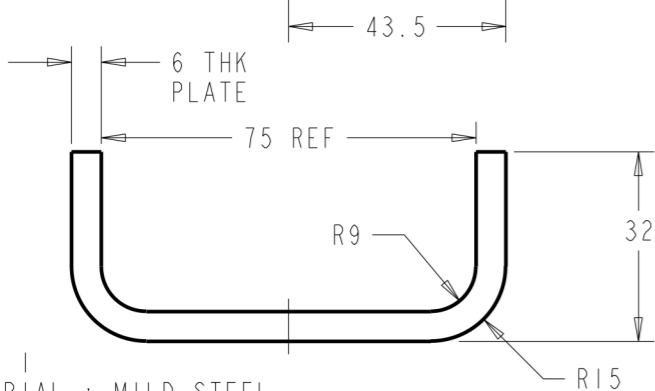


ITEM 4
 MATERIAL : MILD STEEL
 TREATMENT : ZINC PLATE, GALVANISED
 WEIGHT 0.718Kg



3/4" WHITWORTH
 FULL NUT

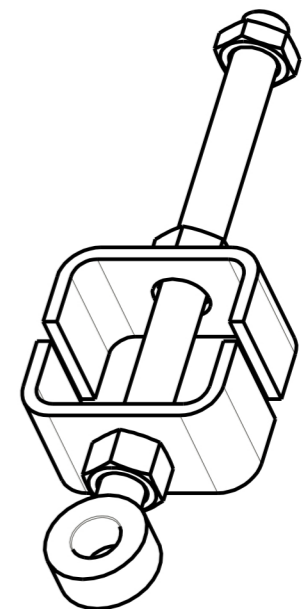
ITEM 3
 MATERIAL : MILD STEEL
 TREATMENT : ZINC PLATE, GALVANISED
 WEIGHT 0.065Kg



3/4" WHITWORTH
 HALF NUT

ITEM 2
 MATERIAL : MILD STEEL
 TREATMENT : ZINC PLATE, GALVANISED
 WEIGHT 0.033Kg

ITEM 1
 MATERIAL : MILD STEEL
 TREATMENT : ZINC PLATE, GALVANISED
 WEIGHT 0.388Kg



Unless Otherwise Stated, All Dimensions are in "mm"

Company Name A.Perry and Co. (Hinges) Ltd Address Doulton Road, Cradley Heath, B64 5QW UK		Product Name 167AB APERRY <small>always in stock</small> ADJUSTABLE BOTTOM FIELDGATE FITTING
Drawn By- N.Hayward	Date 22-Jun-2010	Item Weight 1.660Kg
Drawing is Copyright Protected		

4

3

2

1