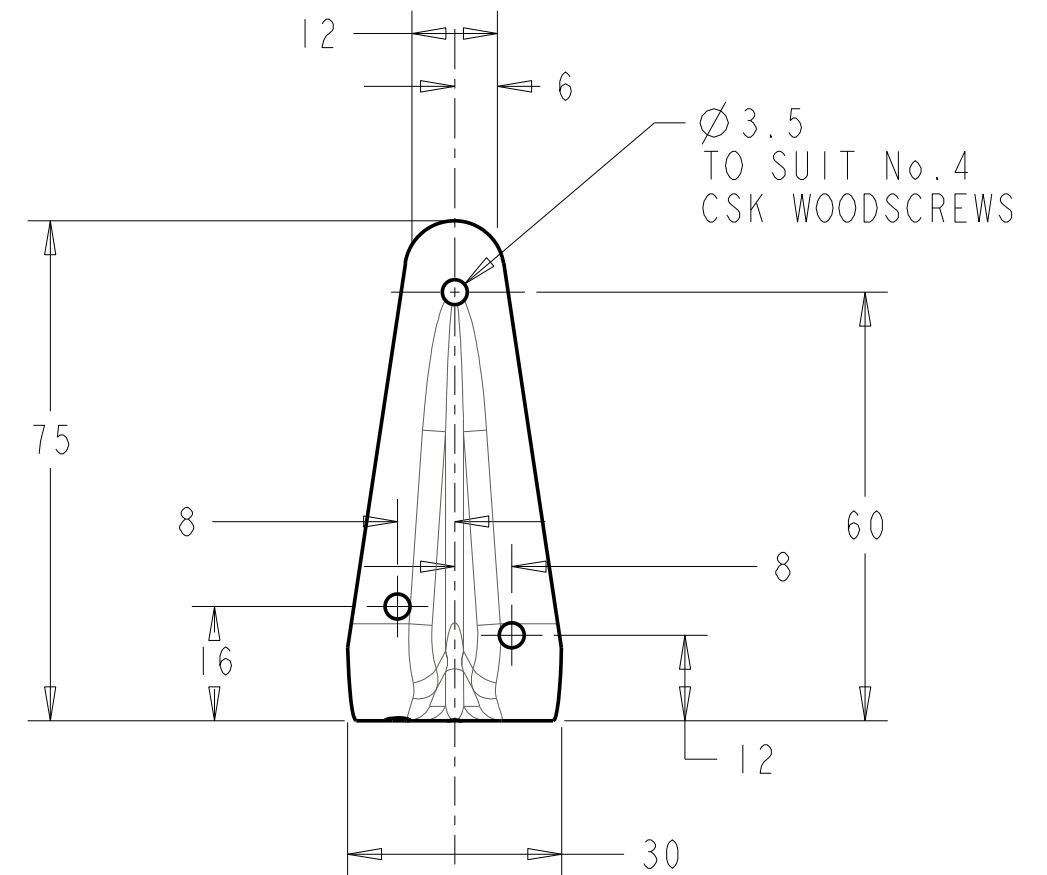
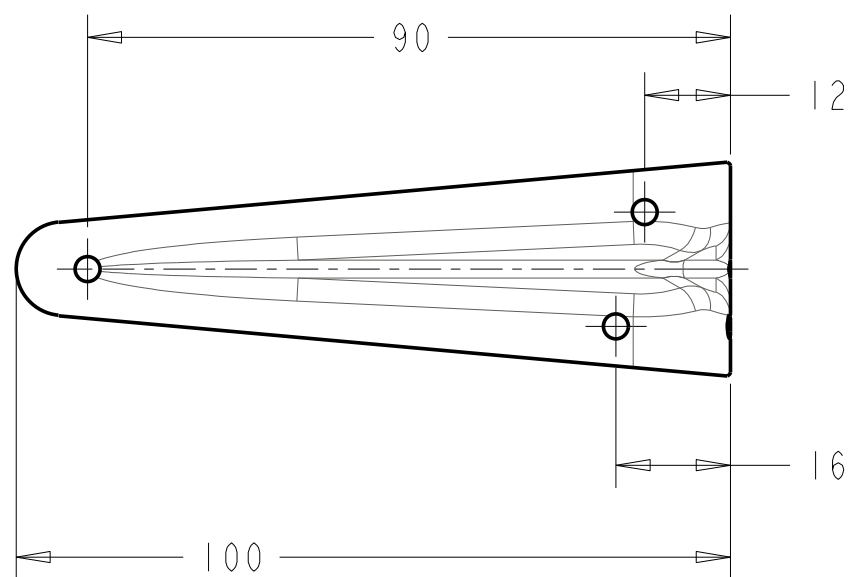
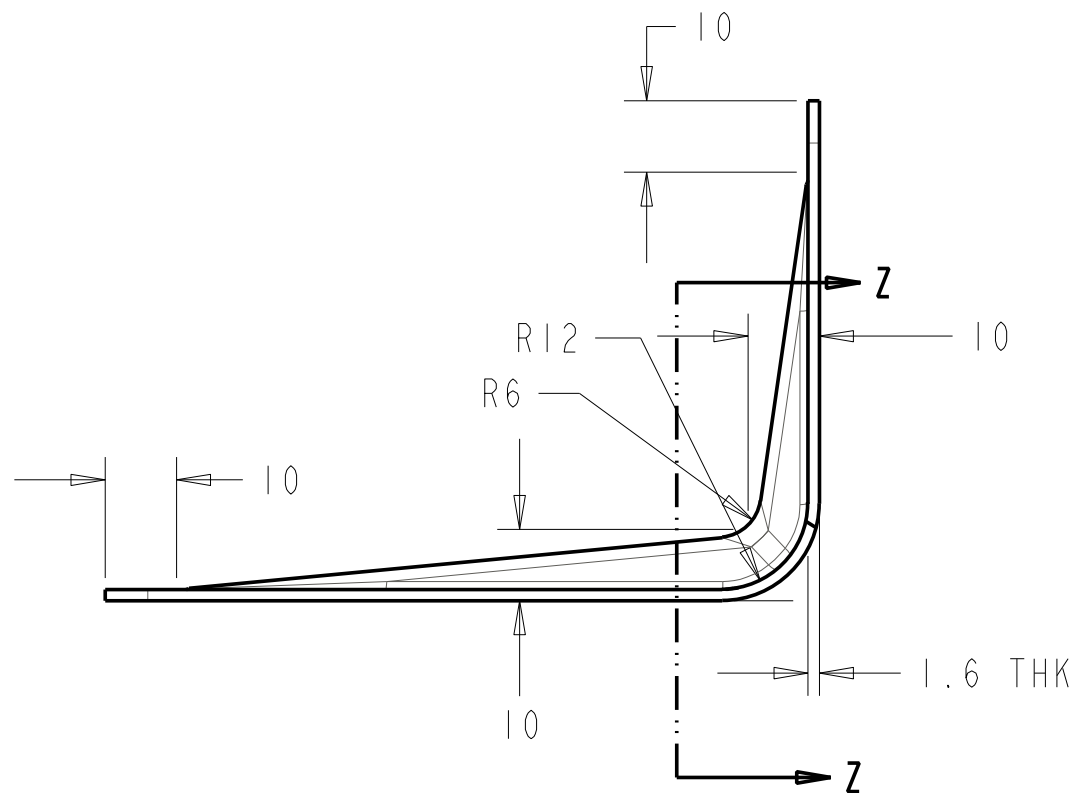


SECTION Z-Z



NOTES

1. MATERIAL - MILD STEEL
2. TREATMENT - POWDER COAT WHITE/POWDER COAT GREY

Unless Otherwise Stated, All Dimensions are in "mm"		
Company Name A.Perry and Co. (Hinges) Ltd		
Address Doulton Road, Cradley Heath, B64 5QW UK		
Product Name 240-100 LONDON SHELF BRACKETS 100mm 4" x 3"	Drawn By- N.Hayward	Date 30-Oct-2010
		Item Weight 0.047Kg
Drawing is Copyright Protected		