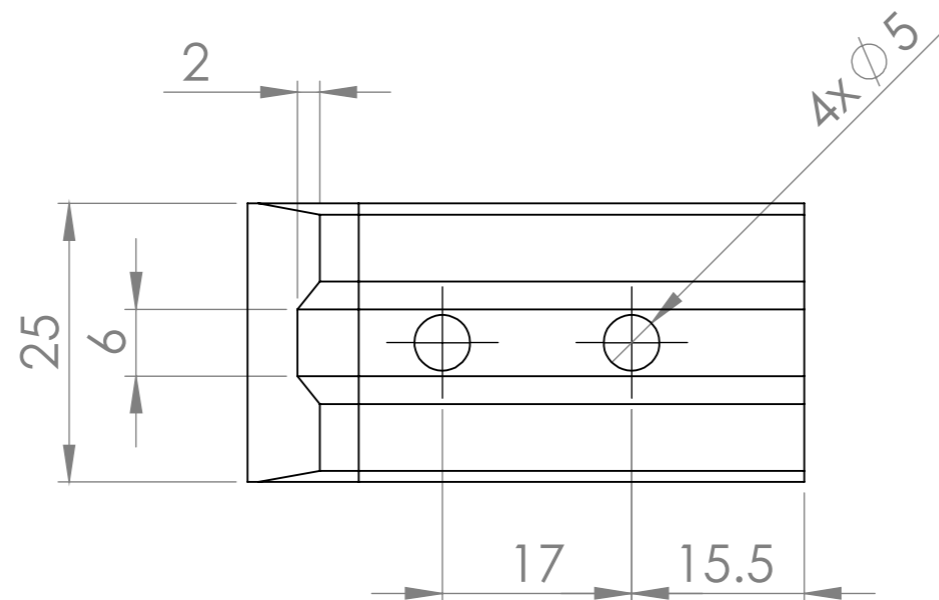
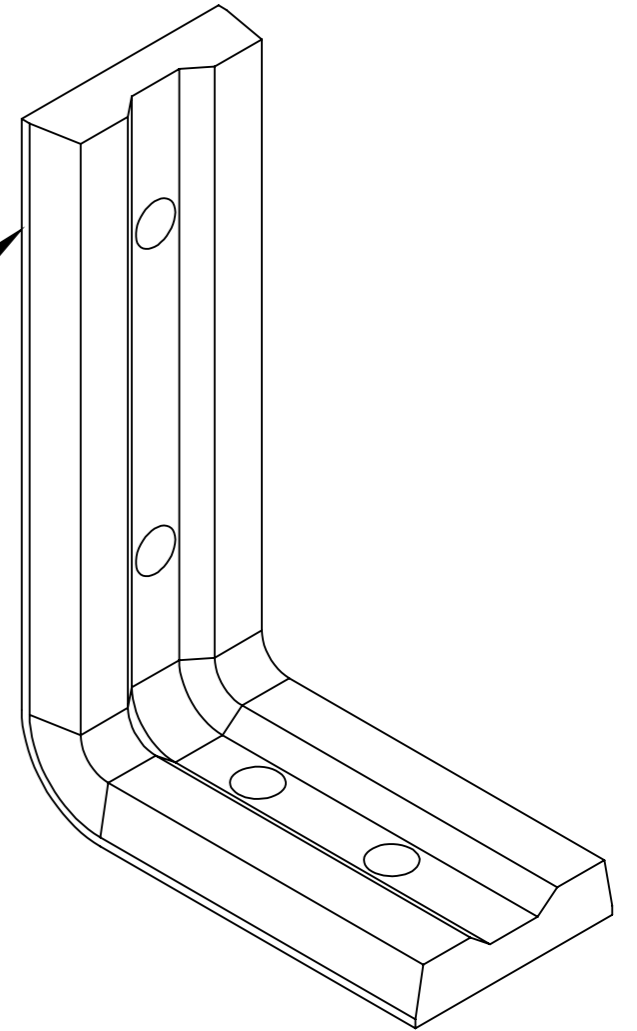


Mild Steel Galvanised
 Holed for No.10 Round
 Head Wood Screws



MODEL No. / NAME		247 75mm 3" x 2" Fluted Angle Brackets	
UNLESS OTHERWISE STATED DIMENSIONS ARE IN MILLIMETRES (MM)		PRODUCT WEIGHT:	132g
DRAWN BY:	ORIGINAL DRAWING:	A3	A PERRY & CO. (HINGES) LTD.
GRAEME SERVICE	SCALE:		
DATE:	03/11/2011		