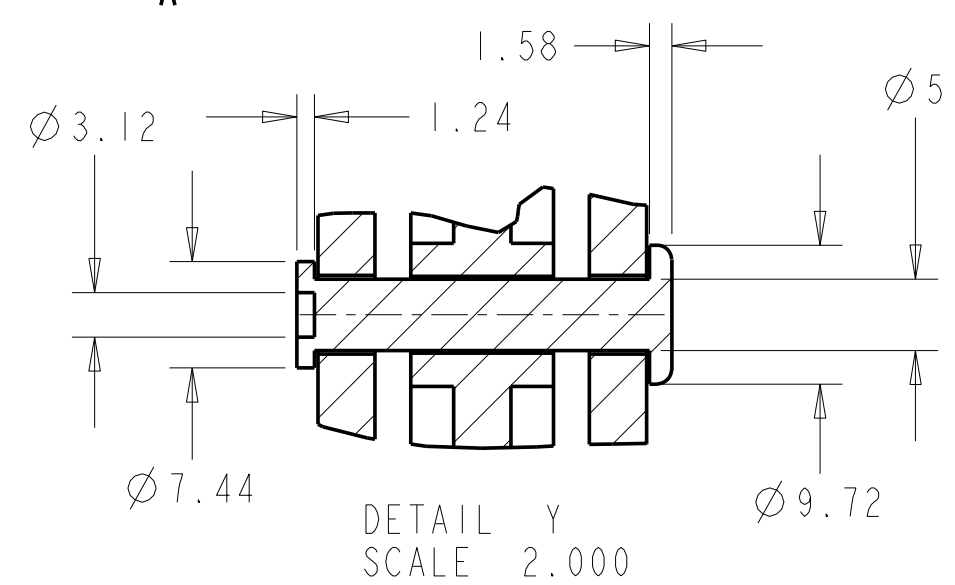


SECTION B-B  
SECTION A-A  
DETAIL Z  
SCALE 2.000

MATERIAL - HOUSING STEEL  
PULLEY NYLON 66  
TREATMENT - HOUSING POWDER COAT  
BLACK



DETAIL Y  
SCALE 2.000

Unless Otherwise Stated, All Dimensions are in "mm"		
Company Name A.Perry and Co. (Hinges) Ltd		Product Name 26I-38
Address Doulton Road, Cradley Heath, B64 5QW UK		
Drawn By- N.Hayward	Date 10-Jun-2010	Item Weight 0.17Kg
Drawing is Copyright Protected		

