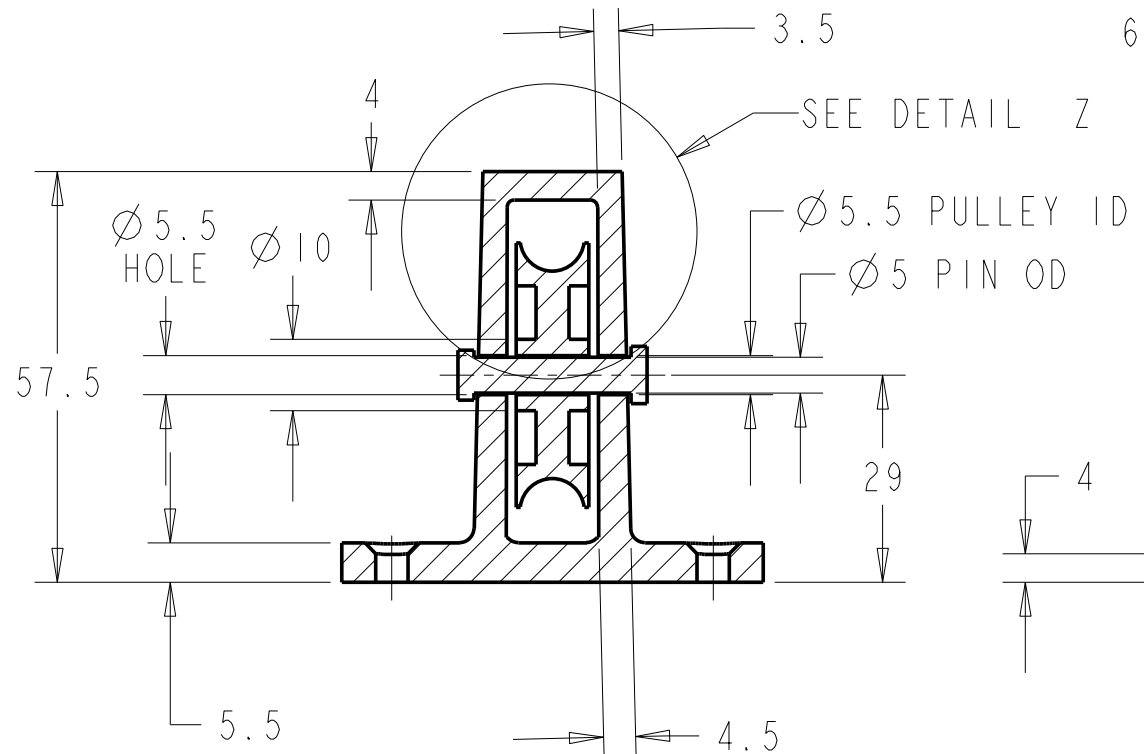
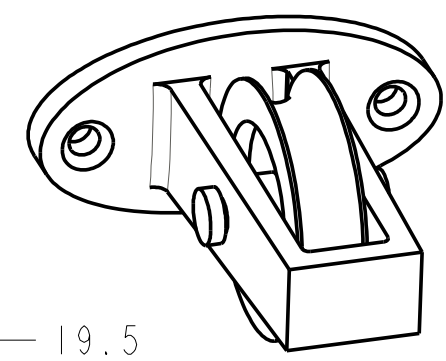
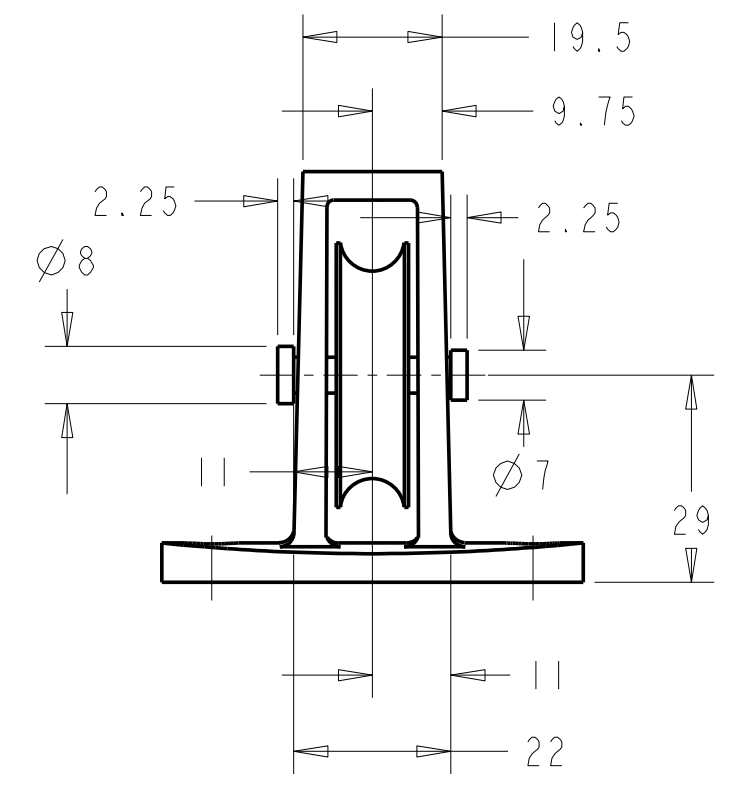
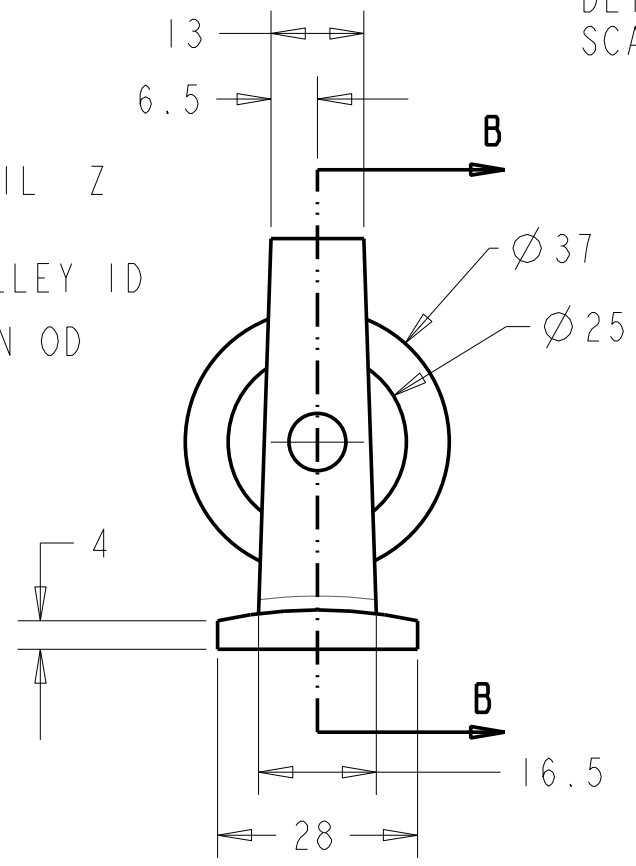


DETAIL Z  
SCALE 1.000



SECTION B-B



Unless Otherwise Stated, All Dimensions are in "mm"

Company Name A.Perry and Co. (Hinges) Ltd			Product Name 264-38
Address Doulton Road, Cradley Heath, B64 5QW UK			Item Weight 0.125 Kg
Drawn By- N.Hayward	Date 10-Jun-2010		

Drawing is Copyright Protected