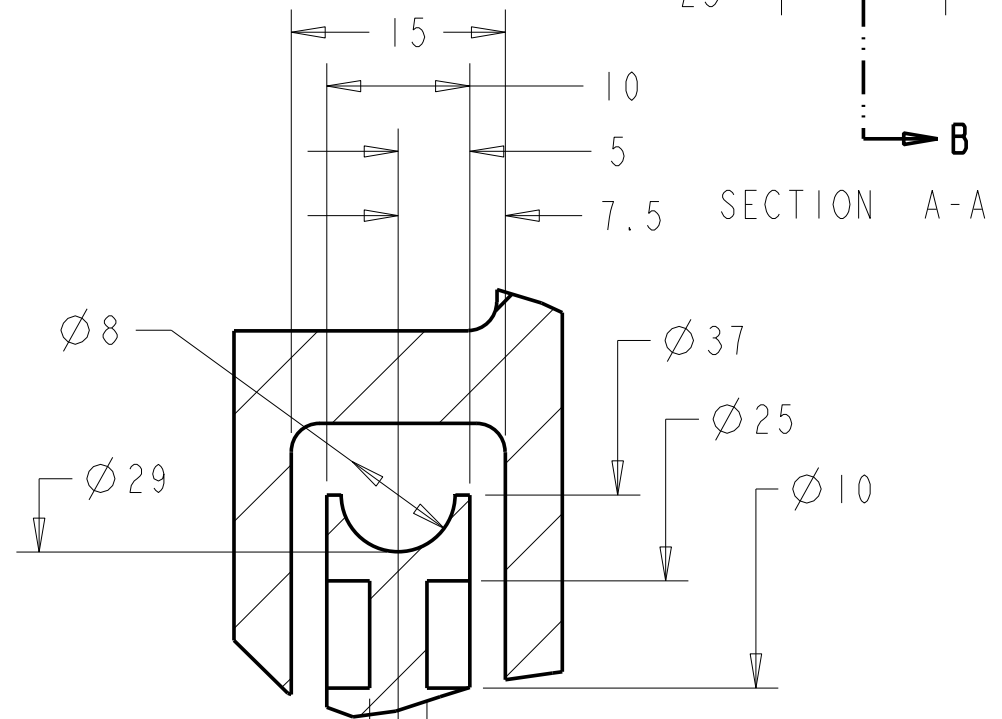
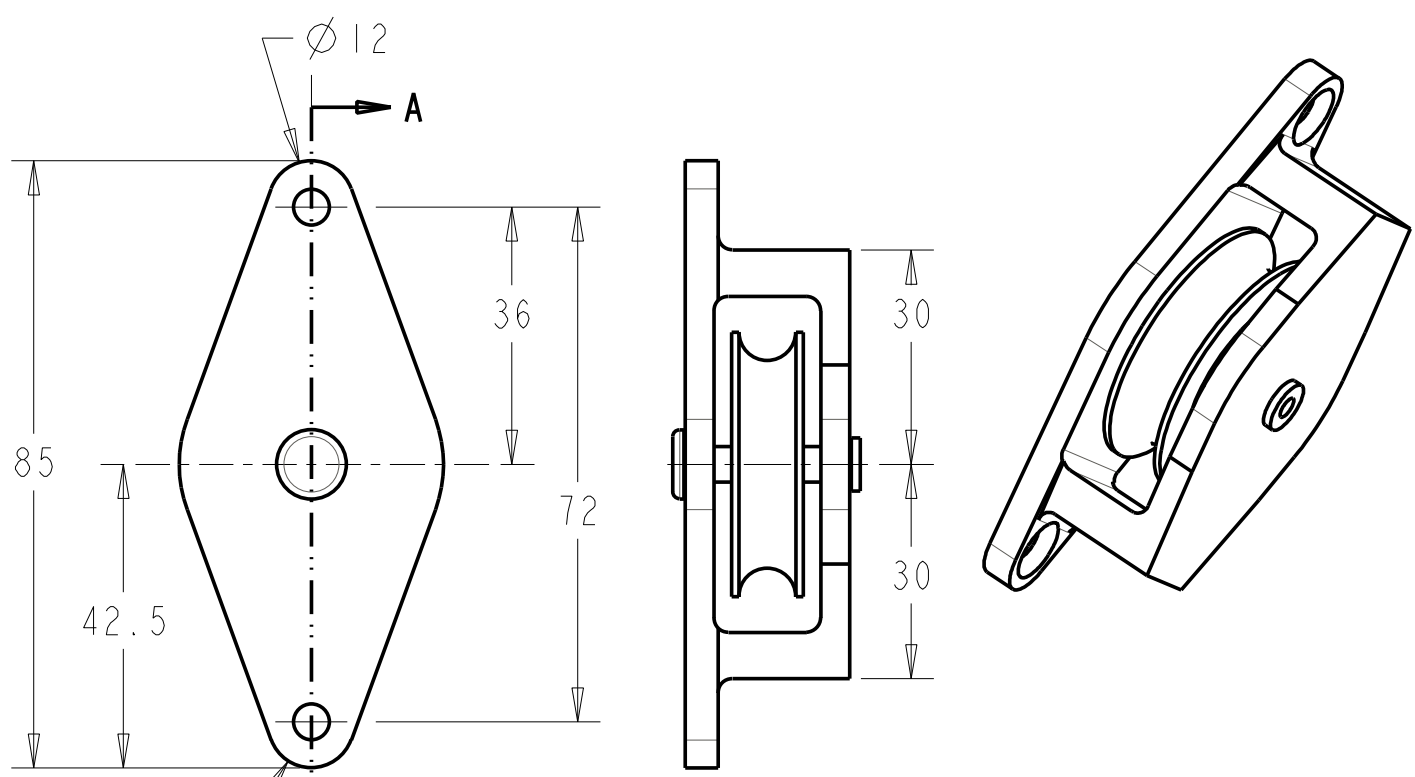


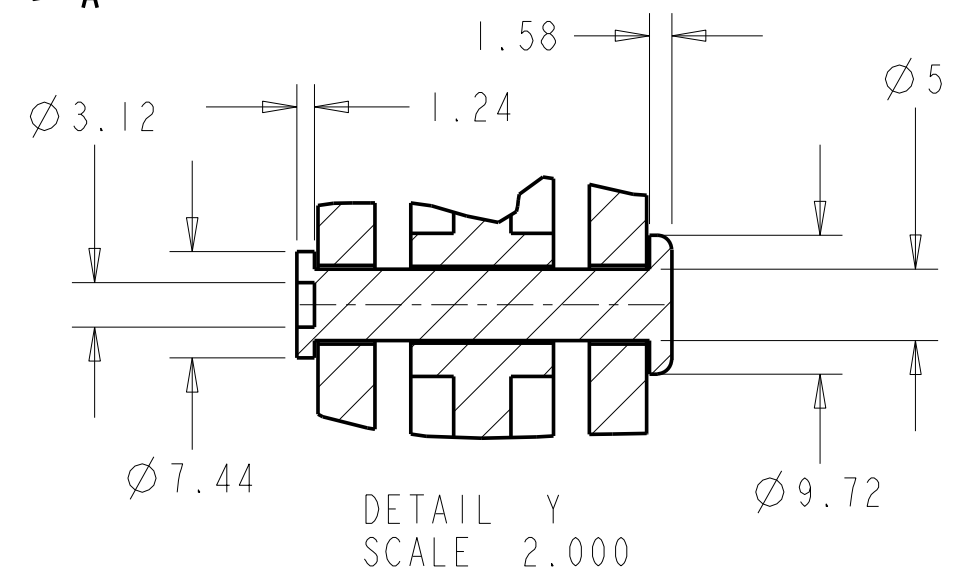
SECTION B-B



DETAIL Z  
SCALE 2.000

SECTION A-A

MATERIAL - HOUSING STEEL  
PULLEY NYLON 66  
TREATMENT - HOUSING POWDER COAT  
BLACK



DETAIL Y  
SCALE 2.000

Unless Otherwise Stated, All Dimensions are in "mm"		
Company Name A.Perry and Co. (Hinges) Ltd Address Doulton Road, Cradley Heath, B64 5QW UK		Product Name 31-38 SINGLE-SIDE CAST PULLEYS NYLON WHEEL 38mm 1-1/2"
Drawn By- N.Hayward	Date 1-April-2011	Item Weight 188g
Drawing is Copyright Protected		