

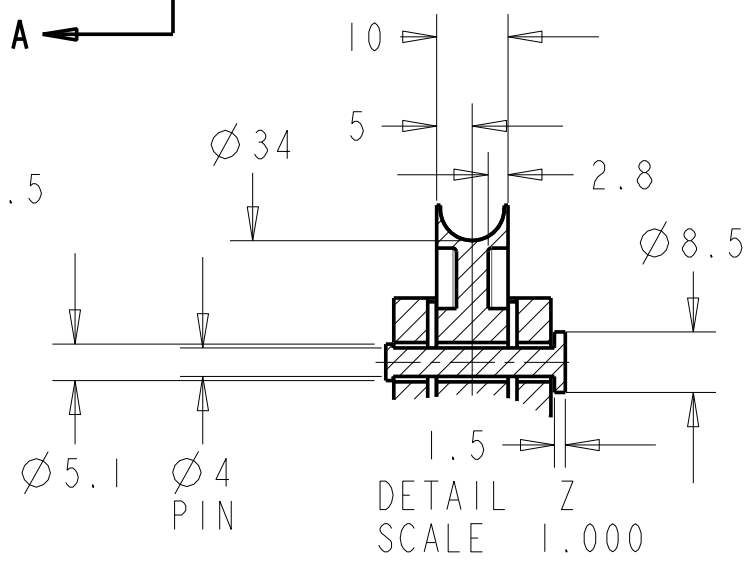
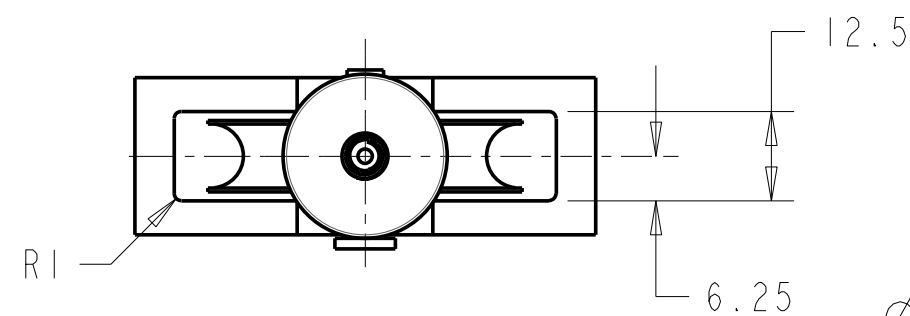
SECTION B-B

SECTION A-A

FINE THREAD SCREW  
12 THREADS PER 25mm

NOTES

- MATERIAL - HOUSING - STEEL  
PULLEY - NYLON 66  
SCREW - STEEL
- TREATMENT - BLACK POWDER COAT  
STEEL PARTS ONLY



Unless Otherwise Stated, All Dimensions are in "mm"

Company Name A.Perry and Co. (Hinges) Ltd		Product Name 41-44
Address Doulton Road, Cradley Heath, B64 5QW UK		
Drawn By- N.Hayward	Date 12-Jun-2010	Item Weight 0.18Kg

Drawing is Copyright Protected