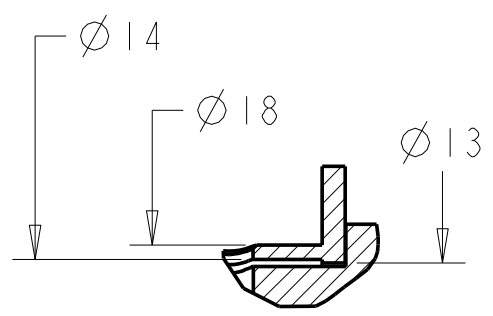


DETAIL A
SCALE 1.000



DETAIL B
SCALE 1.000

NOTES

1. MATERIAL : MILD STEEL
2. TREATMENT: ZINC PLATE AND GALVANISED

Unless Otherwise Stated, All Dimensions are in "mm"		
Company Name A.Perry and Co. (Hinges) Ltd		Product Name 426-0000GV
Address Doulton Road, Cradley Heath, B64 5QW UK		FERRULE LOCKING STRAINER
Drawn By- N.Hayward	Date 29-Jul-2010	Item Weight 0.207Kg

Drawing is Copyright Protected