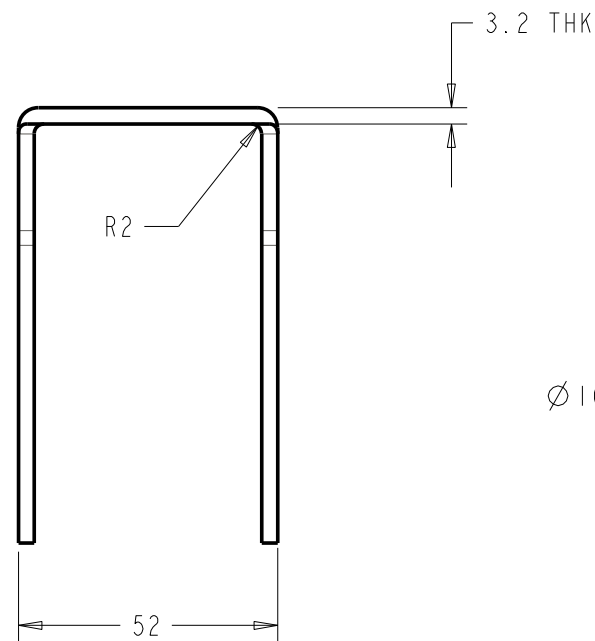
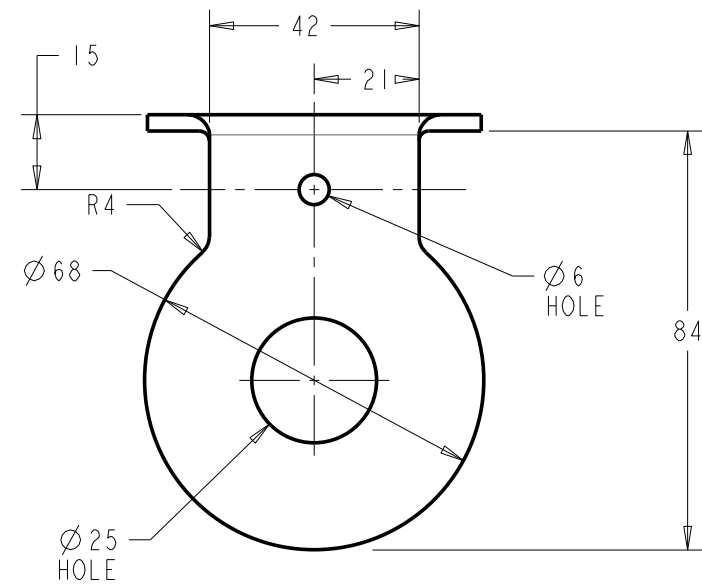
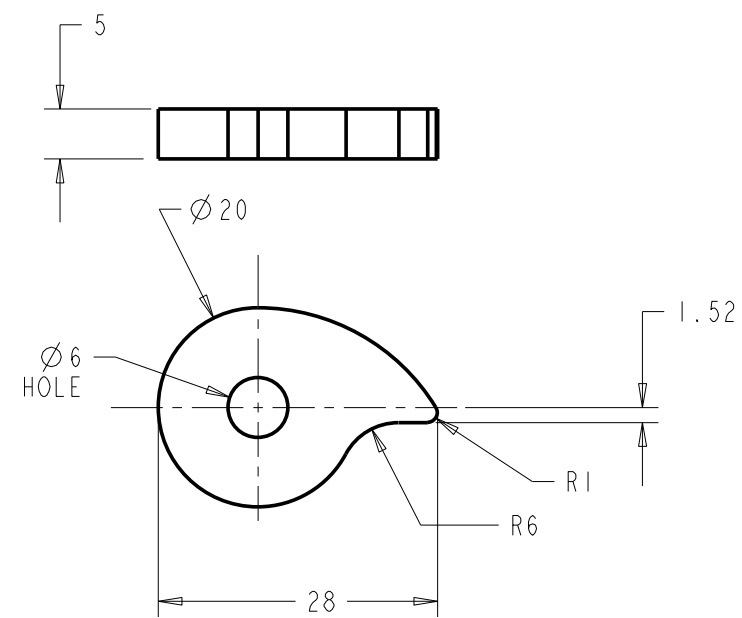
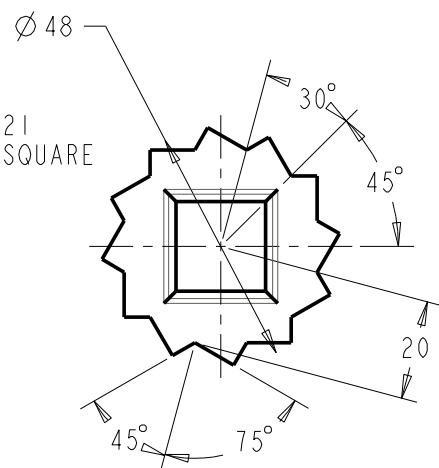
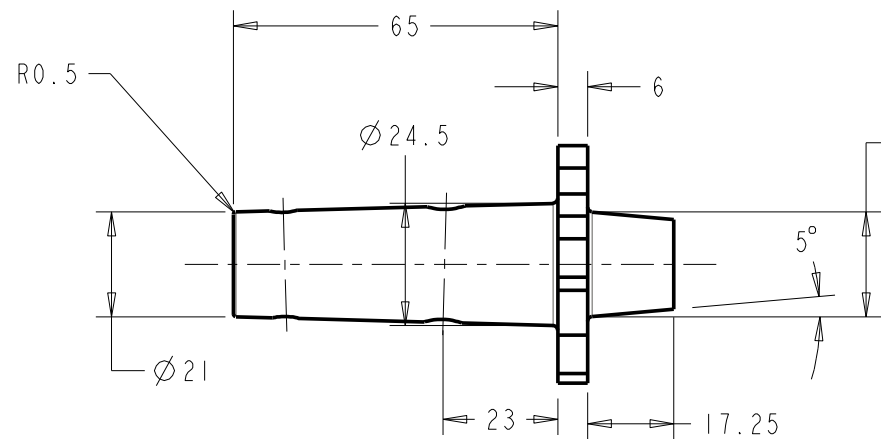


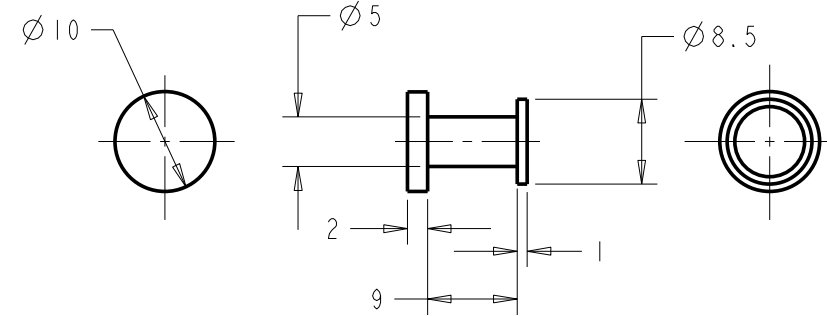
ITEM 1
SCALE 1.000
RATCHET BODY
MATERIAL : MILD STEEL
TREATMENT : ZINC PLATE, GALVANISED



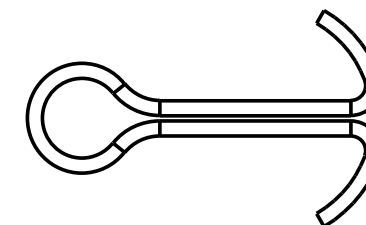
ITEM 2
SCALE 1.000
INDEXING PIN
MATERIAL : MILD STEEL
TREATMENT : ZINC PLATE, GALVANISED




ITEM 3
SCALE 2.000
INDEXING RATCHET
MATERIAL : MILD STEEL
TREATMENT : ZINC PLATE, GALVANISED



ITEM 4
SCALE 2.000
PIN (SHOWN IN PEENED ASSEMBLED CONDITION)
MATERIAL : MILD STEEL
TREATMENT : ZINC PLATE, GALVANISED



ITEM 5
SCALE 2.000
SPLIT PIN 55mm LG x 5mm DIA
MATERIAL : MILD STEEL
TREATMENT : ZINC PLATE, GALVANISED

Unless Otherwise Stated, All Dimensions are in "mm"		
Company Name A.Perry and Co. (Hinges) Ltd Address Doulton Road, Cradley Heath, B64 5QW UK		Product Name 427 RATCHET STRAINER
Drawn By- N.Hayward	Date 31-Aug-2010	Item Weight 0.705Kg
Drawing is Copyright Protected		