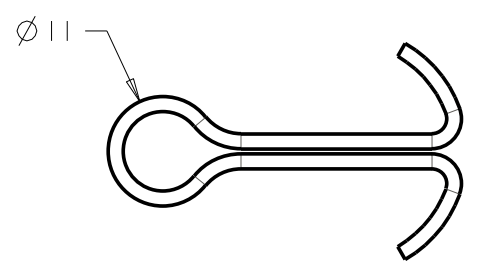


4

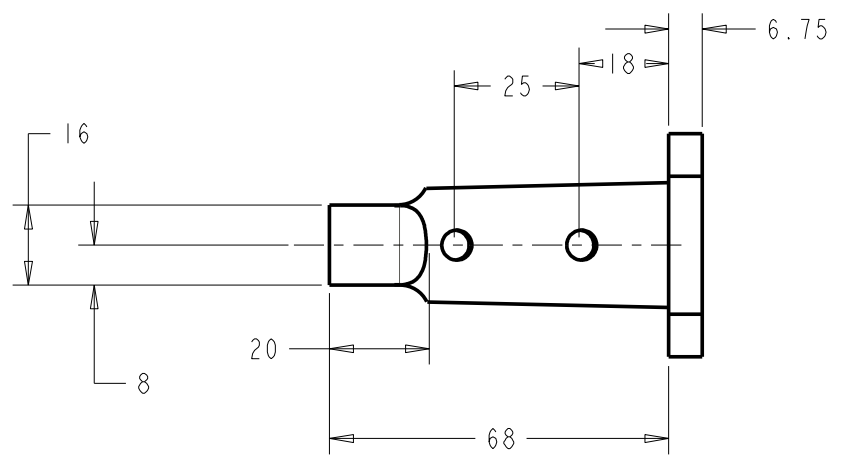
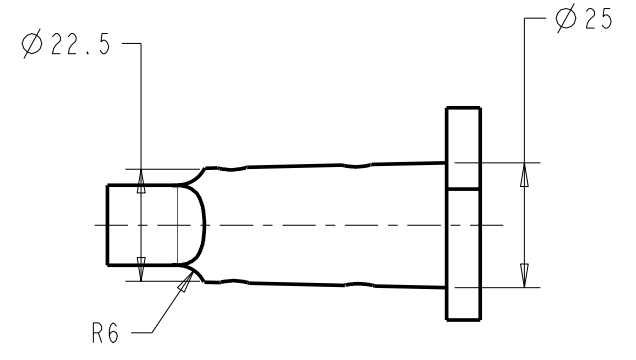
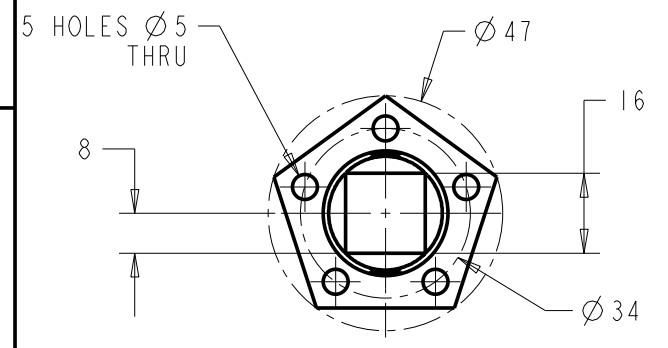
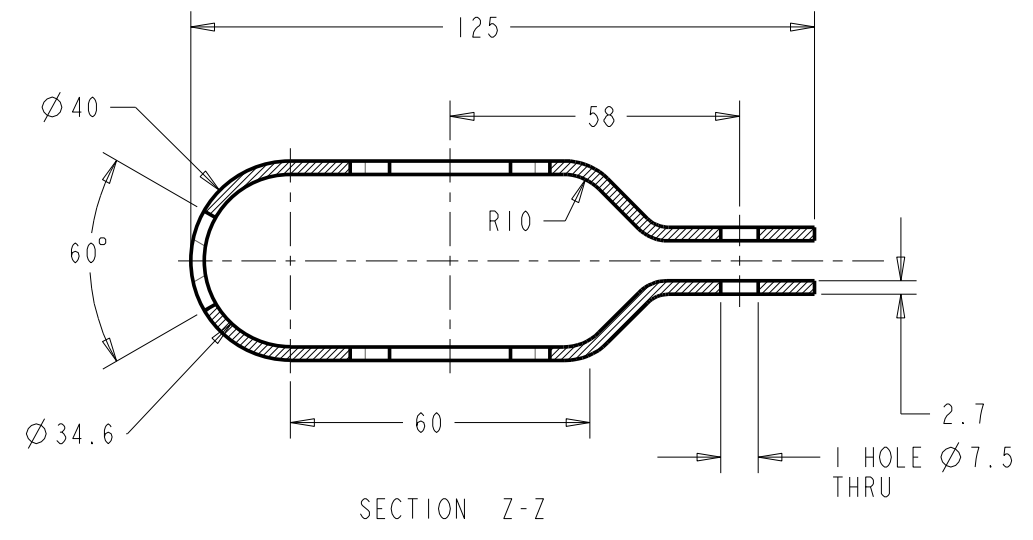
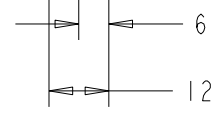
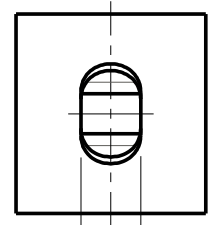
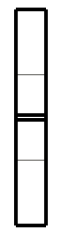
3

2

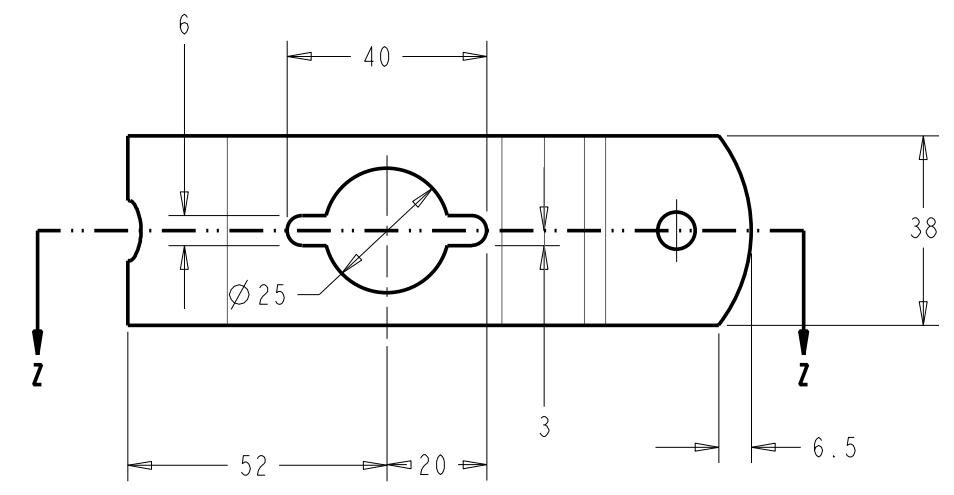
1




ITEM 3
 MATERIAL ; MILD STEEL
 TREATMENT : CADMIUM PLATE
 SCALE 2.000
 QTY 1



ITEM 1
 MATERIAL : MILD STEEL
 TREATMENT : ZINC PLATE, GALVANISED
 SCALE 1.000
 QTY 1



ITEM 2
 MATERIAL : MILD STEEL
 TREATMENT : ZINC PLATE, GALVANISED
 SCALE 1.000
 QTY 1

Unless Otherwise Stated, All Dimensions are in "mm"		
Company Name A.Perry and Co. (Hinges) Ltd Address Doulton Road, Cradley Heath, B64 5QW UK		Product Name 428 LARGE RADISSEURS
Drawn By- N.Hayward	Date 28-Aug-2010	Item Weight 0.459Kg
Drawing is Copyright Protected		

4

3

2

1

D

D

C

C

B

B

A

A