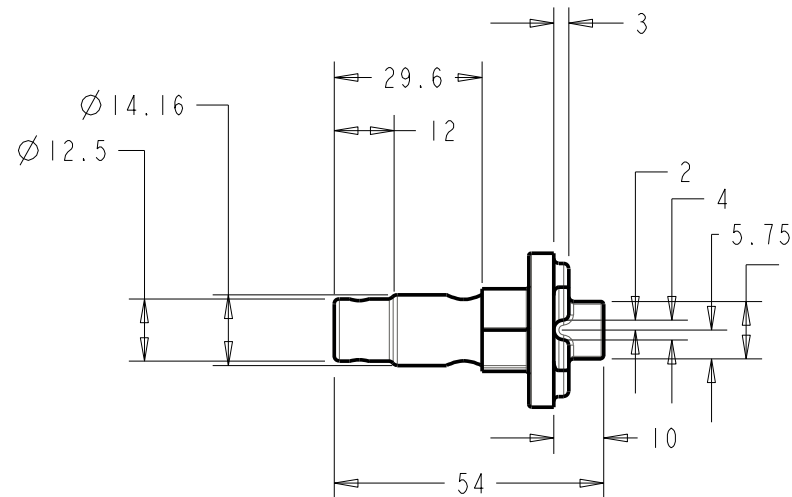
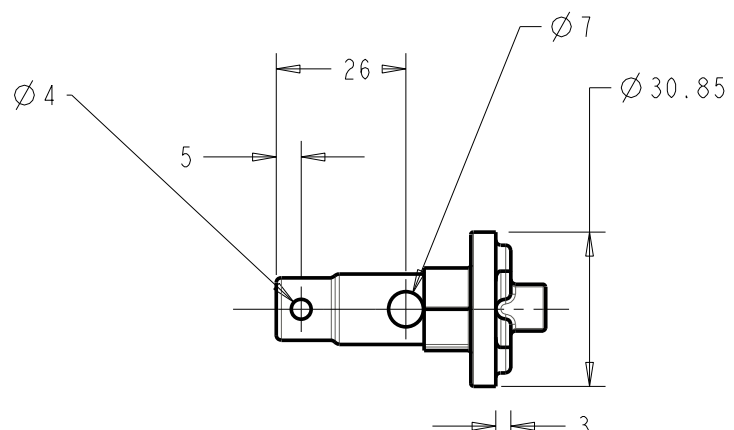
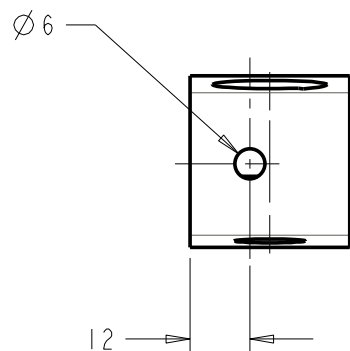
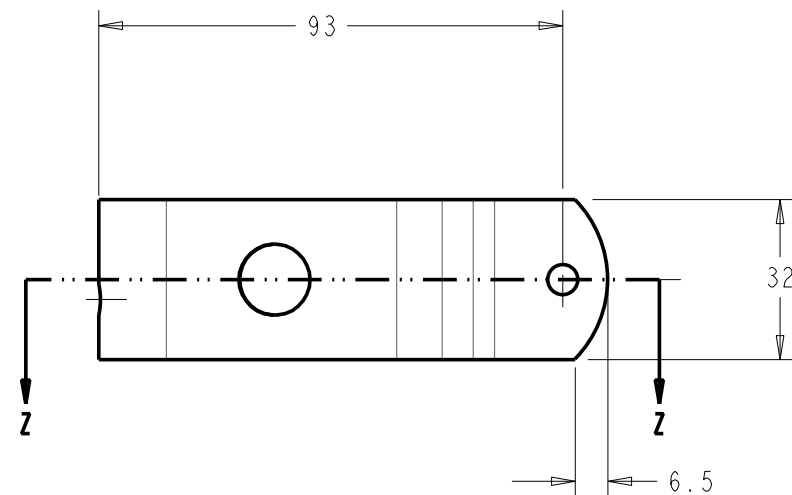
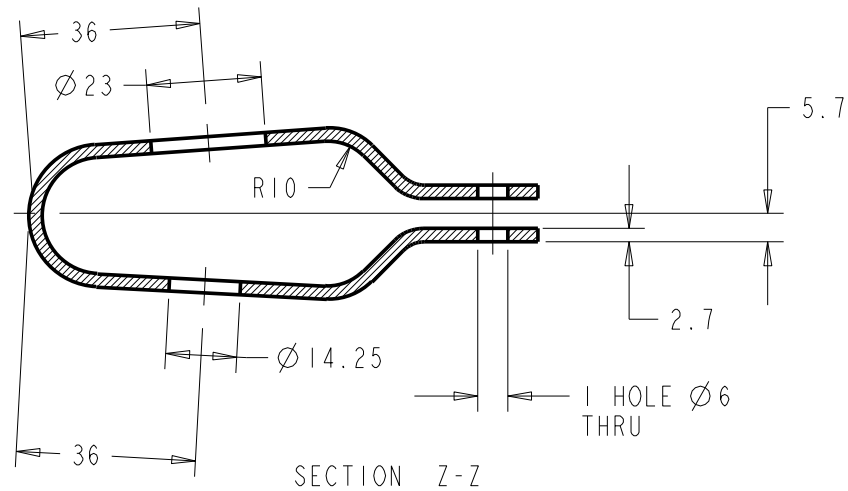


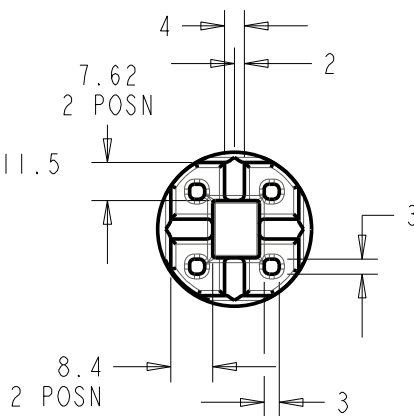
ITEM 3
 MATERIAL ; MILD STEEL
 TREATMENT : CADMIUM PLATE
 SCALE 2.000
 QTY 1
 DIAMETER 3.5mm LENGTH 40mm




ITEM 1
 MATERIAL : MILD STEEL
 TREATMENT : ZINC PLATE, GALVANISED
 SCALE 1.000
 QTY 1



ITEM 2
 MATERIAL : MILD STEEL
 TREATMENT : ZINC PLATE, GALVANISED
 SCALE 1.000
 QTY 1



Unless Otherwise Stated, All Dimensions are in "mm"		
Company Name A.Perry and Co. (Hinges) Ltd Address Doulton Road, Cradley Heath, B64 5QW UK		Product Name 429 SMALL RADISSEURS
Drawn By- N.Hayward	Date 29-Aug-2010	Item Weight 0.223Kg
Drawing is Copyright Protected		