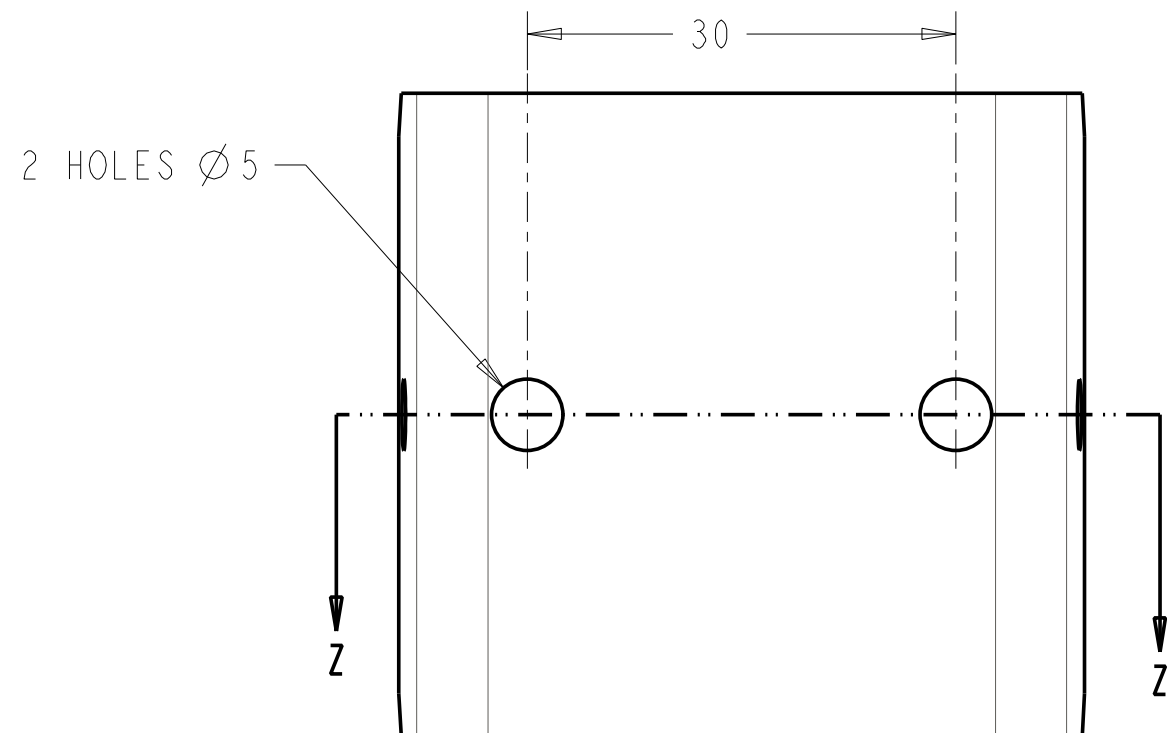
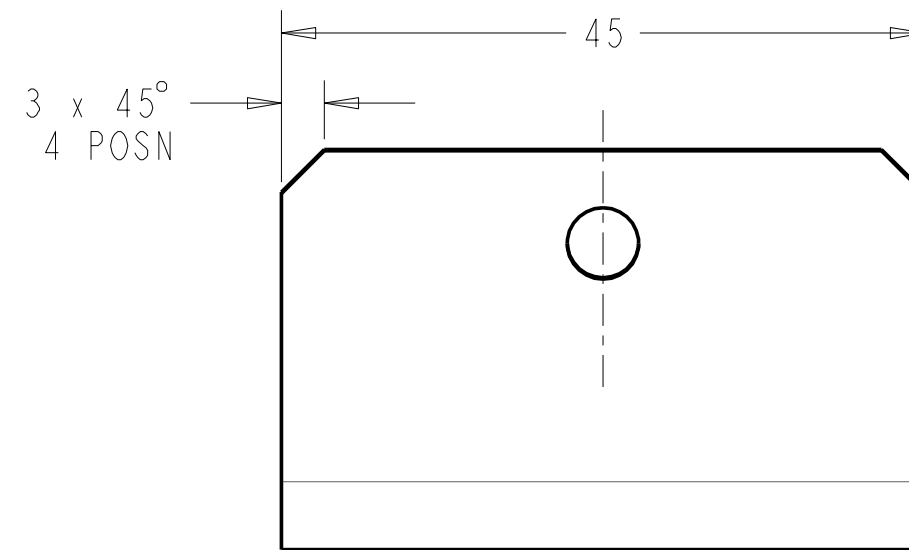


SECTION Z-Z



NOTES

1. MATERIAL - MILD STEEL
2. PROTECTION - ZINC PLATE, GALVANISED

Unless Otherwise Stated, All Dimensions are in "mm"		
Company Name A.Perry and Co. (Hinges) Ltd		Product Name 472-40
Address Doulton Road, Cradley Heath, B64 5QW UK		FENCE PANEL FIXING CLIP 40mm
Drawn By- N.Hayward	Date 27-Jul-2010	Item Weight 0.056Kg
Drawing is Copyright Protected		