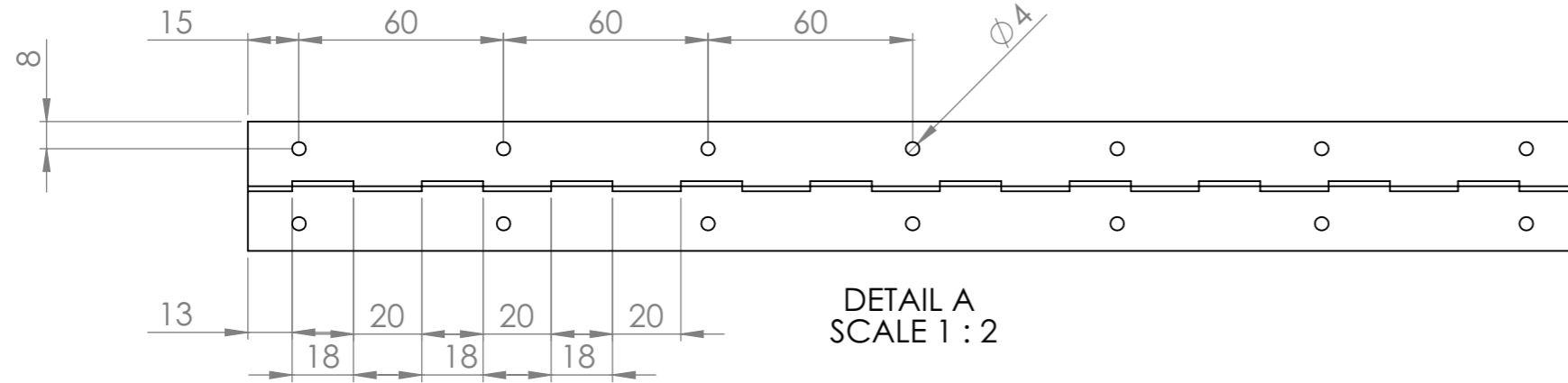
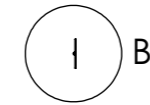
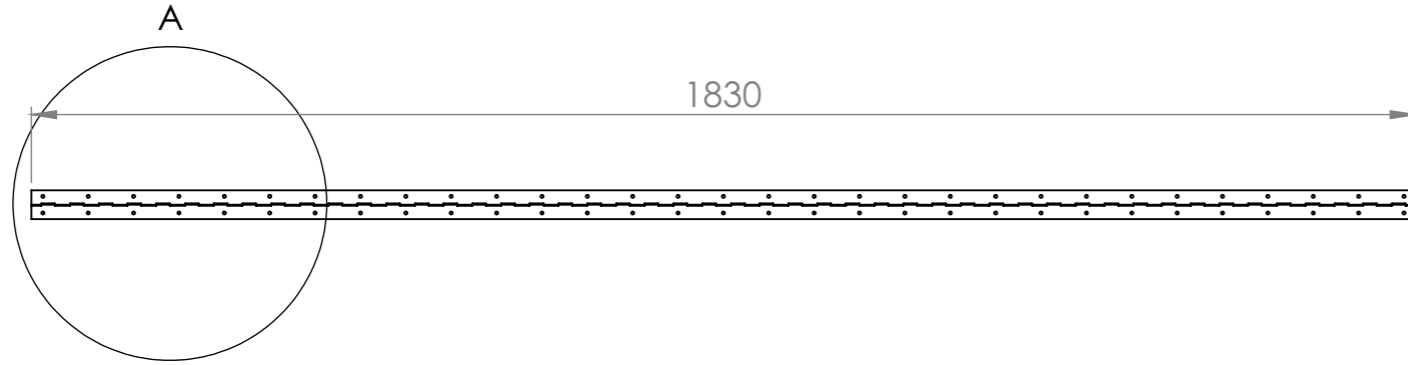
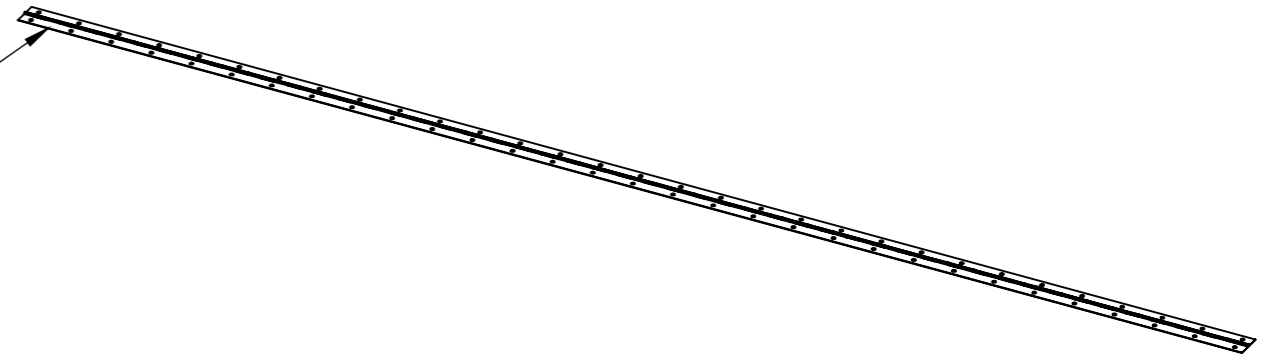
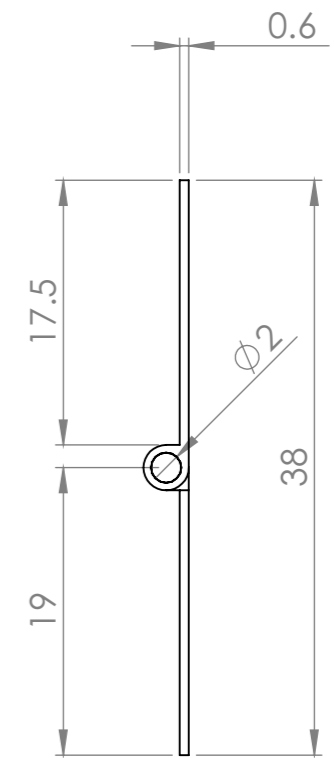


Mild Steel: E/Brass  
N/Plate



DETAIL A  
SCALE 1 : 2



DETAIL B  
SCALE 2 : 1

UNLESS OTHERWISE STATED  
DIMENSIONS ARE IN MILLIMETRES (MM)

PRODUCT MODEL No.

101-0038

DRAWN BY:  
GRAEME SERVICE

SCALE 1:10  
DATE: 02/11/2010

COMPANY: A PERRY & CO. (HINGES) LTD.



PRODUCT WEIGHT:

348g

A3