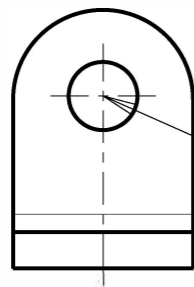
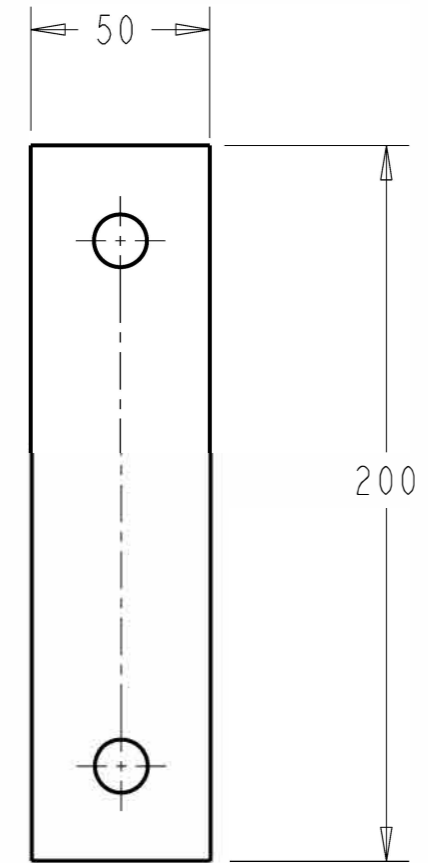
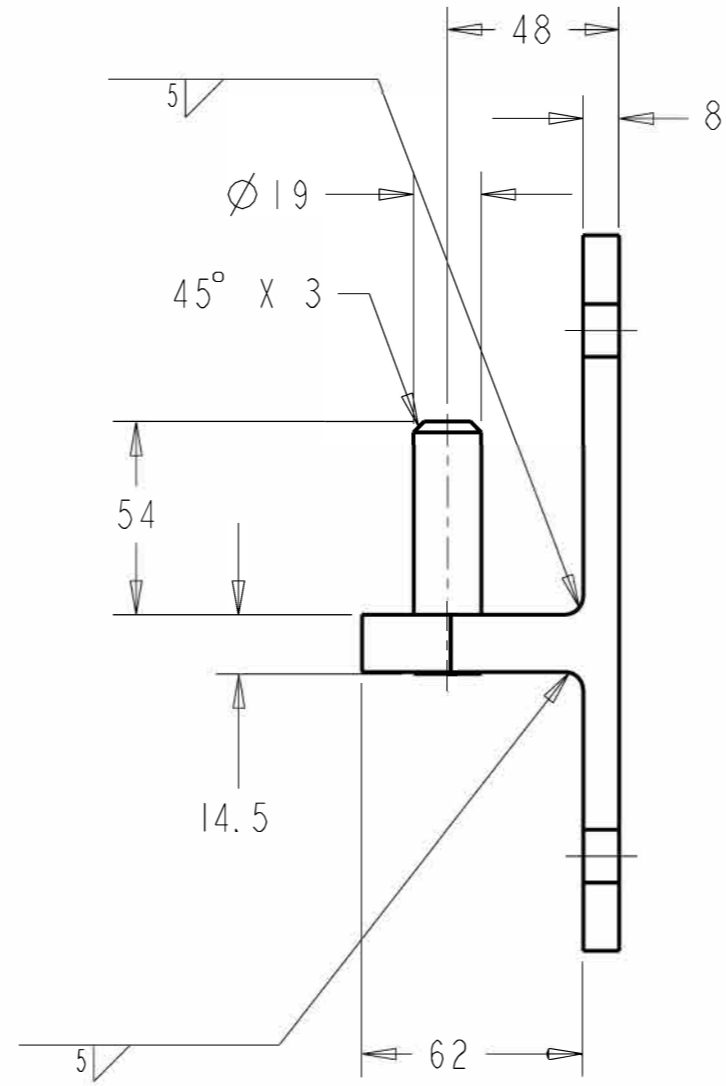
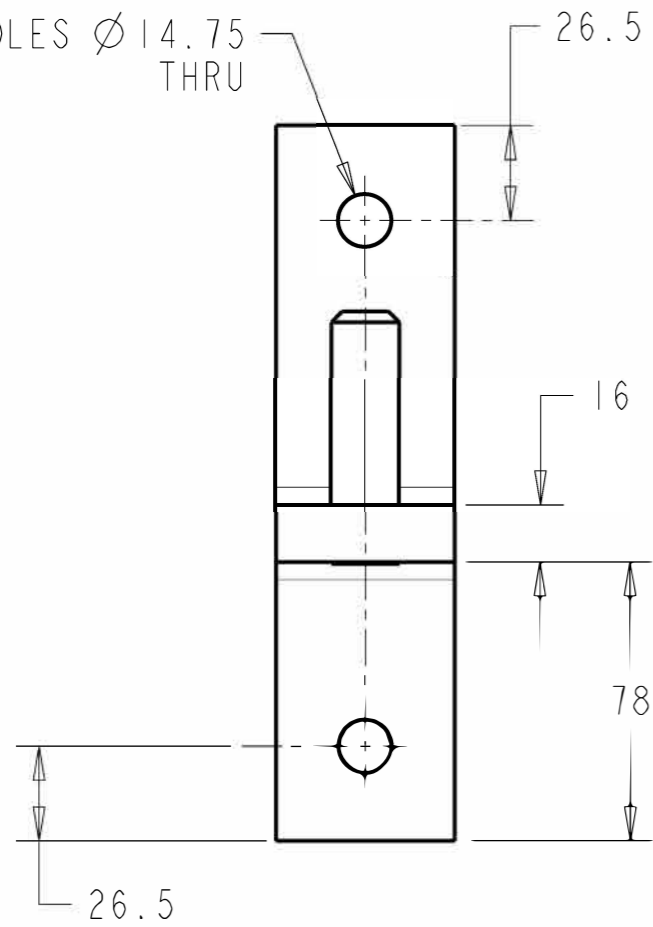


2 HOLES $\varnothing 14.75$
THRU



WELD/SEAL END OF HOLE
FLUSH WITH SURFACE

NOTES

1. MATERIAL : MILD STEEL
2. TREATMENT : ZINC PLATE, GALVANISED

Unless Otherwise Stated, All Dimensions are in "mm"

Company Name
A.Perry and Co. (Hinges) Ltd
Address
Doulton Road, Cradley Heath, B64 5QW UK



Product Name
435
HOOKS ON
OBLONG PLATE
19mm

Drawn By- N.Hayward

Date 06-Oct-2010

Item Weight 1.237Kg

Drawing is Copyright Protected