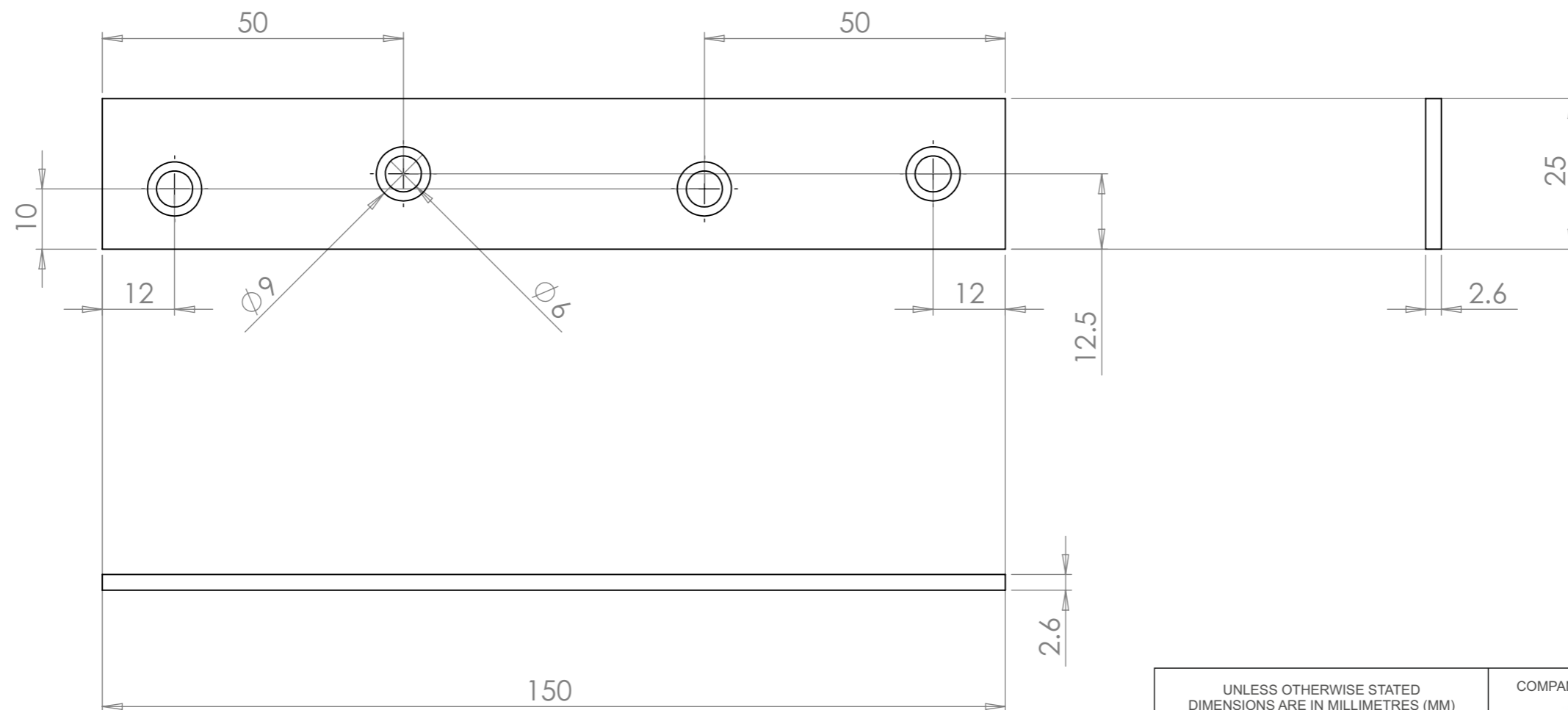


For No. 8
CSK Wood Screws



UNLESS OTHERWISE STATED
DIMENSIONS ARE IN MILLIMETRES (MM)

PRODUCT MODEL No.

325 6"

DRAWN BY:
GRAEME SERVICE

SCALE 2:1
DATE: 05/06/2010

COMPANY: A PERRY & CO. (HINGES) LTD.

APERRY
always in stock

PRODUCT WEIGHT: 80g

A3