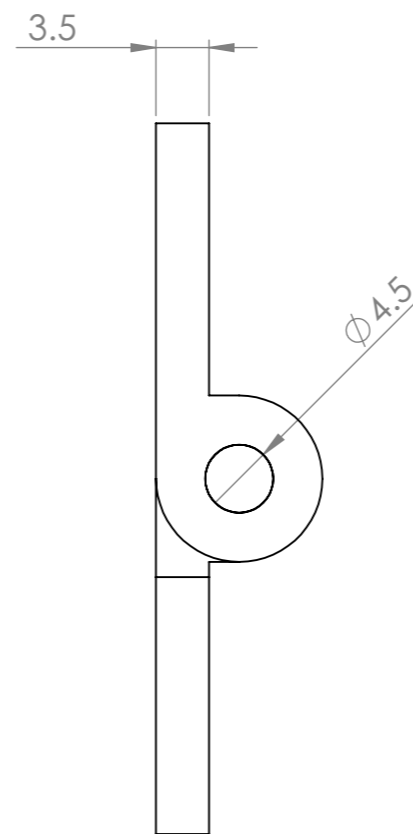
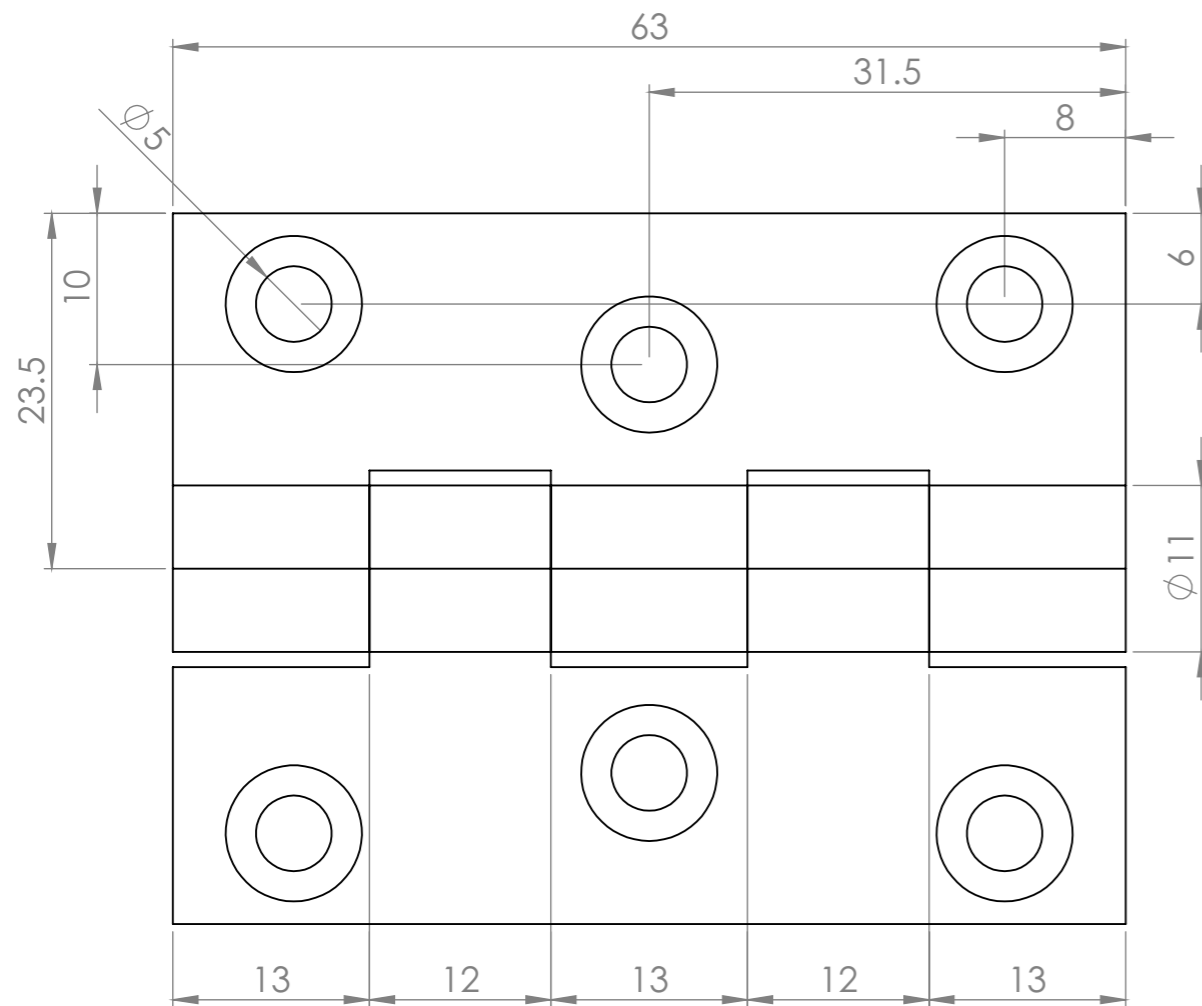
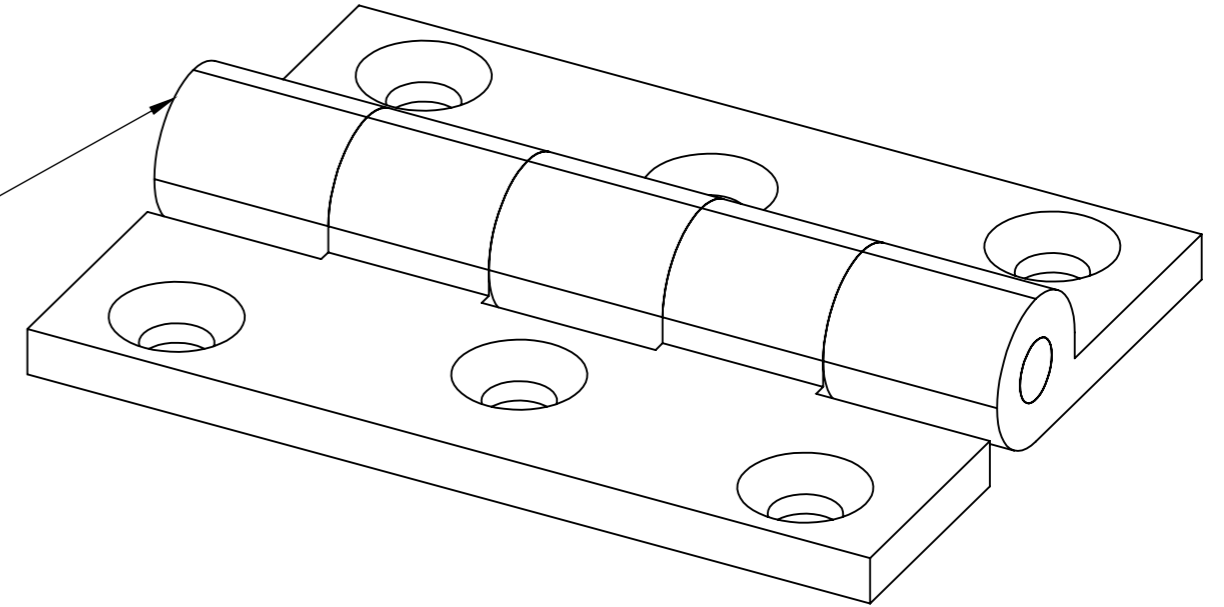


4.5mm Dia Pin
 Cast Iron
 Holed for No.7 CSK Wood Screws



MODEL No. / NAME		200 2.5" Cast Iron Butt Hinge	
UNLESS OTHERWISE STATED DIMENSIONS ARE IN MILLIMETRES (MM)		PRODUCT WEIGHT:	95g
DRAWN BY: GRAEME SERVICE	ORIGINAL DRAWING: A3		
DATE: 07/11/2010	SCALE: 2:1		