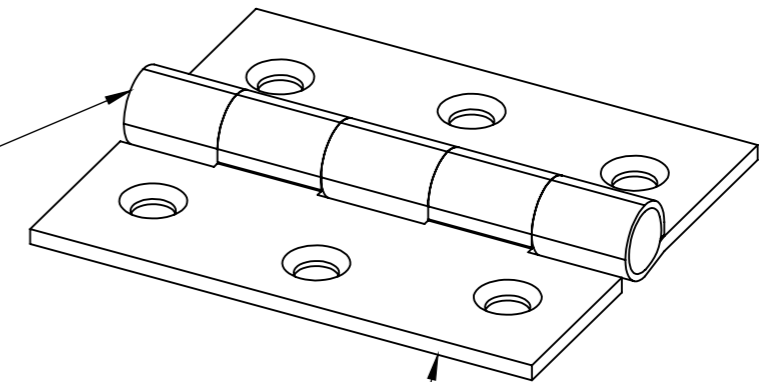
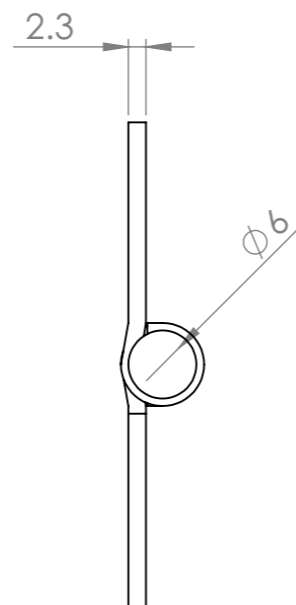
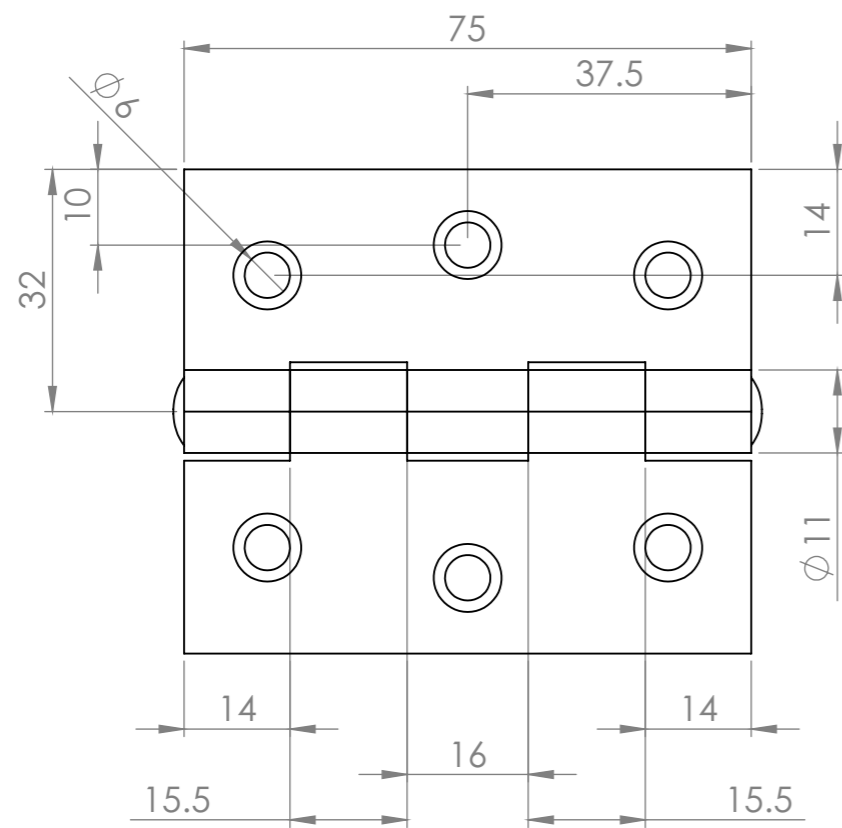


6mm Dia Fixed Pin
 Holed For No.10 CSK Wood Screws



Mild Steel
 Self Colour
 Zinc Plated
 Electro Brass
 Sherardised



MODEL No. / NAME		451 3" Strong Butt Hinge	
UNLESS OTHERWISE STATED DIMENSIONS ARE IN MILLIMETRES (MM)		PRODUCT WEIGHT:	128g
DRAWN BY: GRAEME SERVICE	ORIGINAL DRAWING: A3		
DATE: 15/11/2010	SCALE: 1:1		