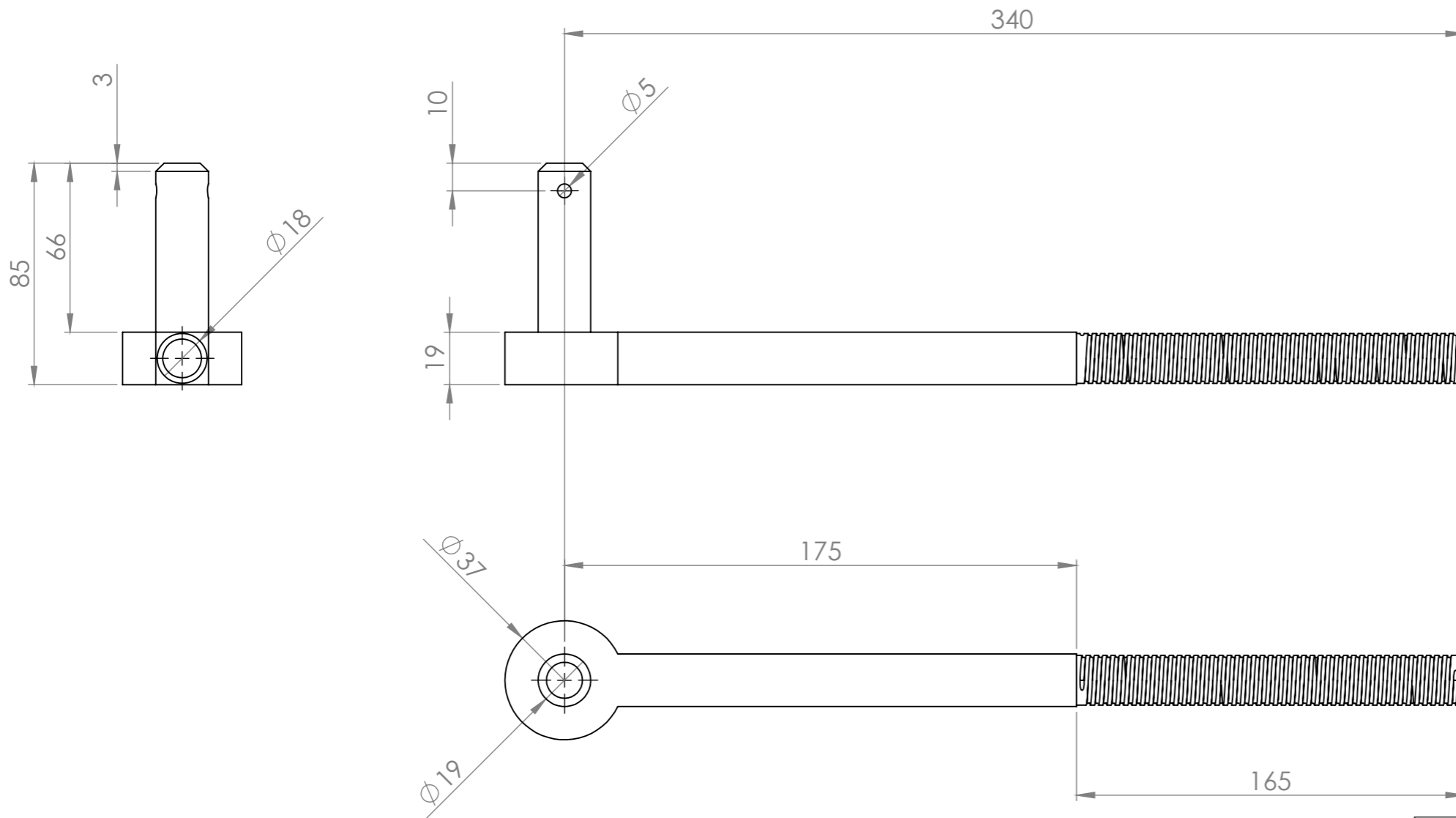
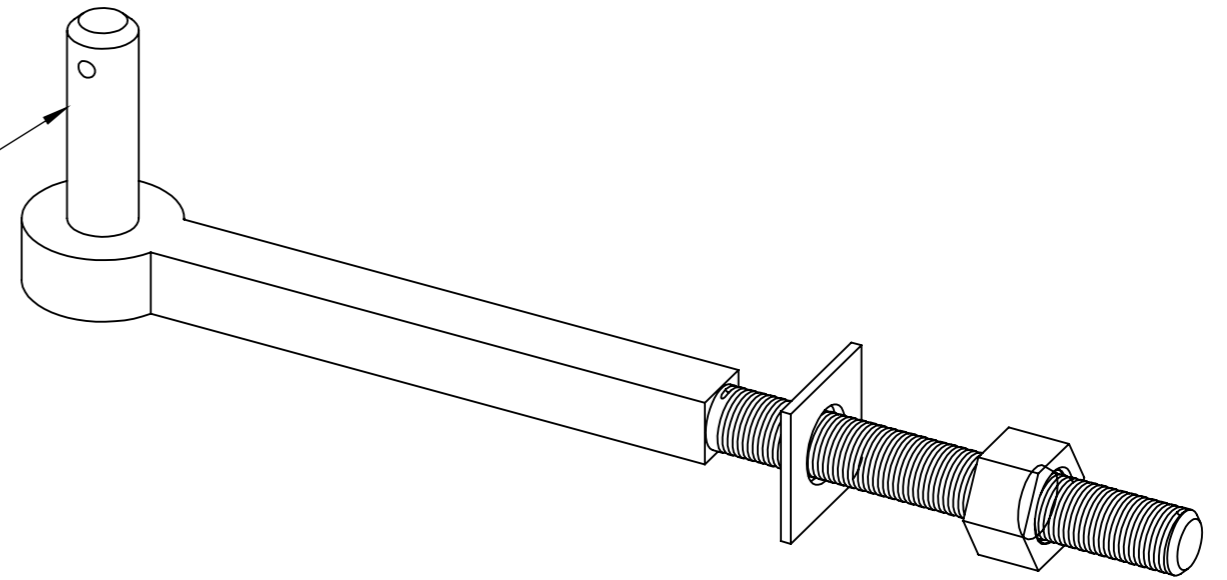


Mild Steel
 3/4" Whitworth Thread
 Fitted with 1x3/4" Imperial Square Washer
 1x3/4" Whitworth Full Nut
 To Suit 19mm Dia Pins



MODEL No. / NAME		131B 13" Field Gate Hook to Bolt (19mm Pins)	
UNLESS OTHERWISE STATED DIMENSIONS ARE IN MILLIMETRES (MM)		PRODUCT WEIGHT:	984g
DRAWN BY:	ORIGINAL DRAWING:	A3	A PERRY & CO. (HINGES) LTD.
GRAEME SERVICE	DATE:		
09/09/2010	SCALE:	1:2	