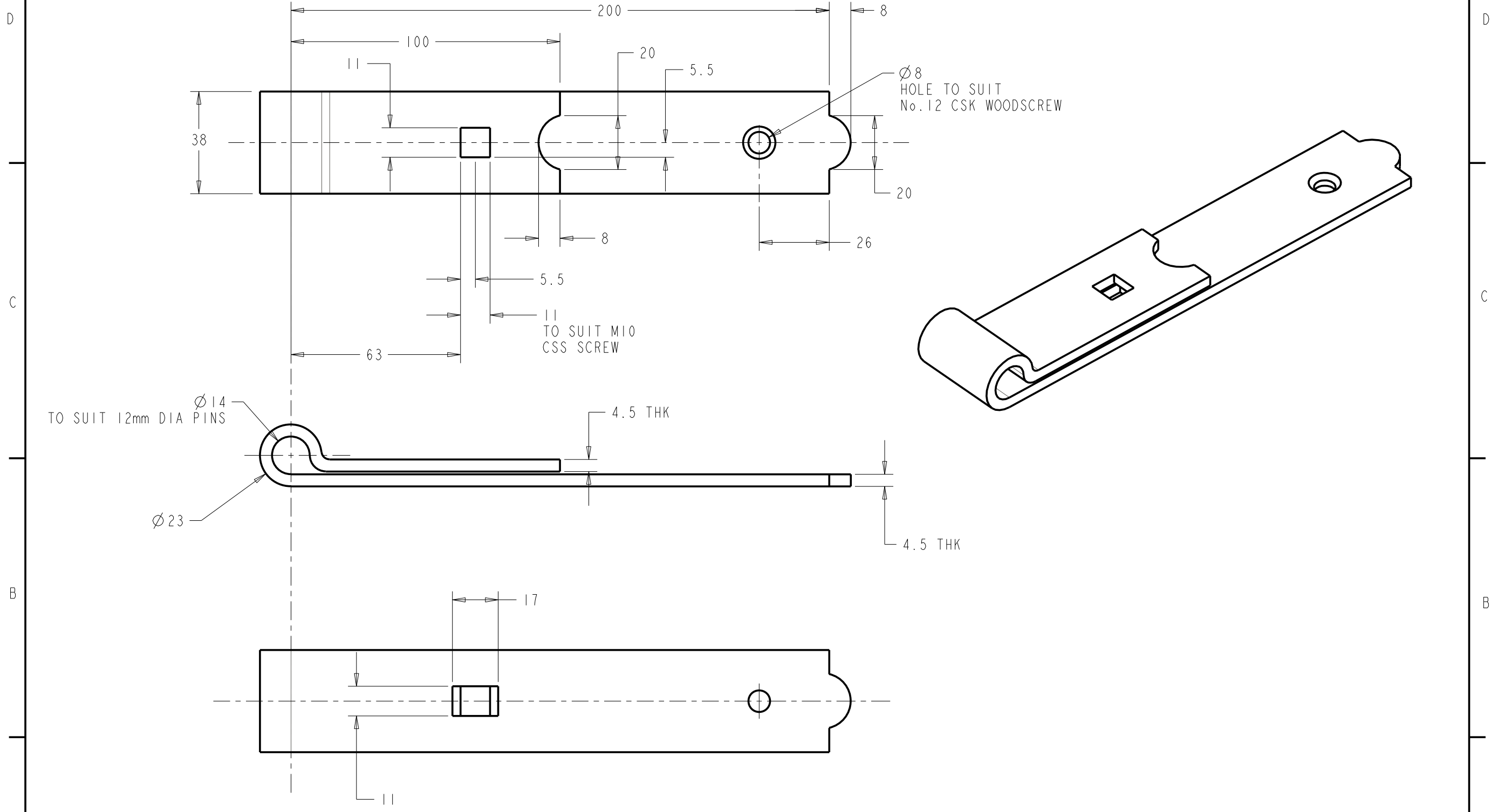



4 | 3 | 2 | 1



NOTES

1. MATERIAL : MILD STEEL
2. TREATMENT: ZINC PLATE, GALVANISED

Unless Otherwise Stated, All Dimensions are in "mm"		
Company Name A.Perry and Co. (Hinges) Ltd Address Doulton Road, Cradley Heath, B64 5QW UK		Product Name 146-200
Drawn By- N.Hayward		Date 14-July-2011
Scale 1:1		Drawing is Copyright Protected

4 | 3 | 2 | 1