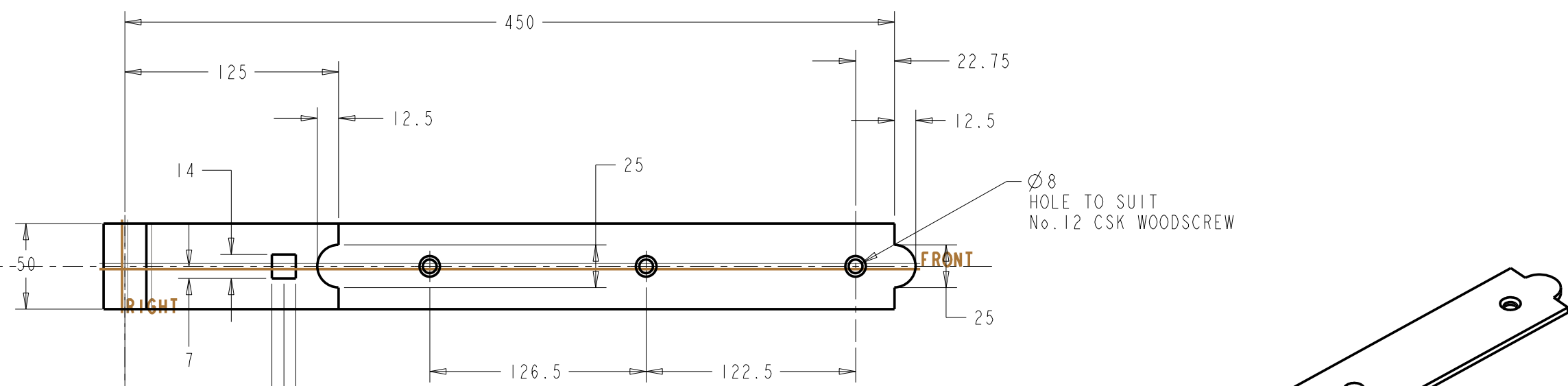


4 | 3 | 2 | 1

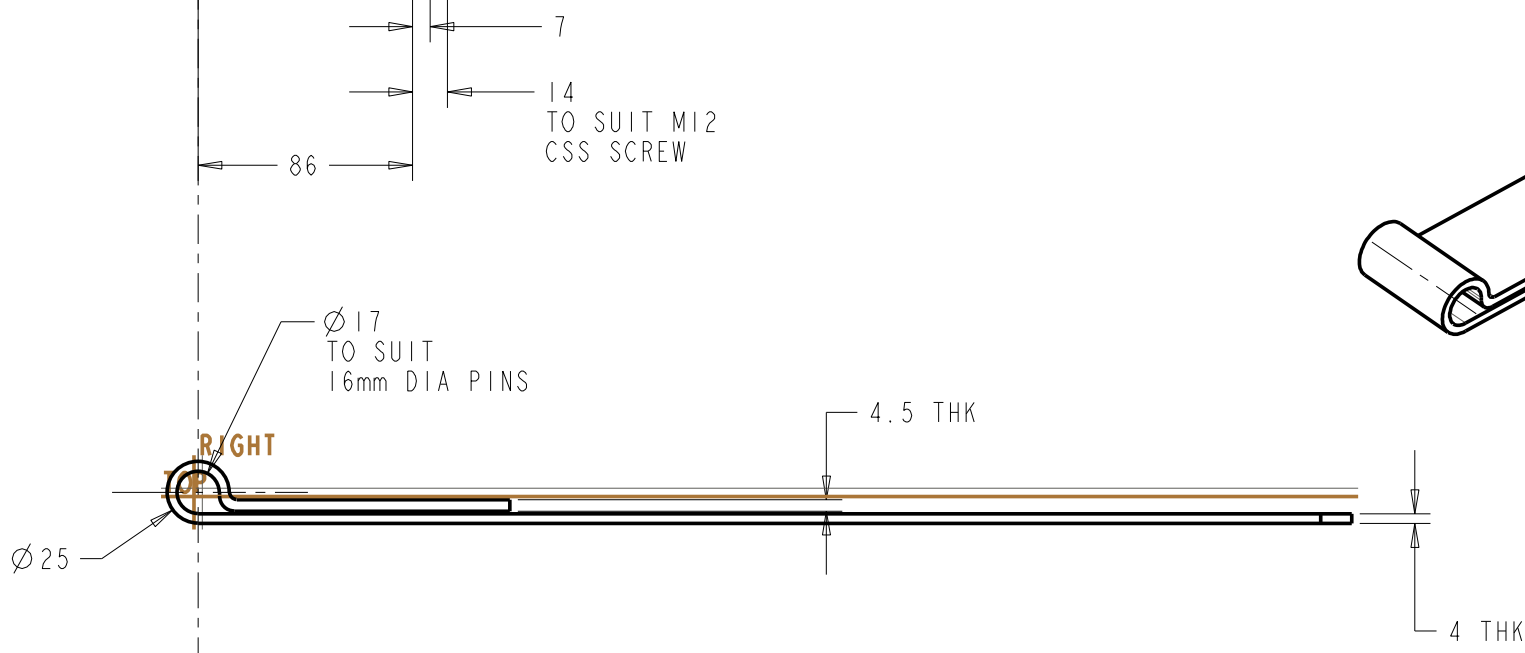
D

D



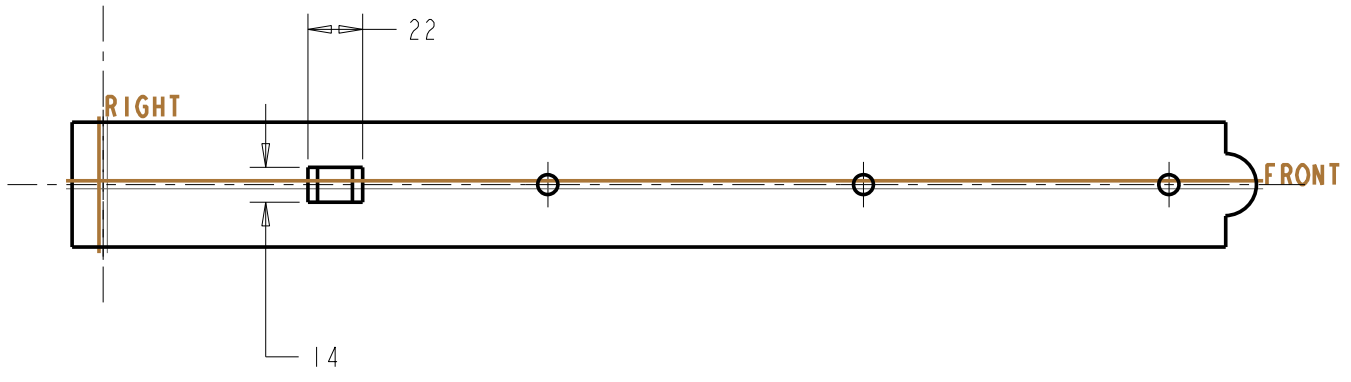
C

C



B

B




A

A

NOTES

- 1. MATERIAL : MILD STEEL
- 2. TREATMENT: ZINC PLATE, GALVANISED

Unless Otherwise Stated, All Dimensions are in "mm"		
Company Name A.Perry and Co. (Hinges) Ltd Address Doulton Road, Cradley Heath, B64 5QW UK		Product Name 146-450 STRAIGHT BAND 450mm
Drawn By- N.Hayward	Date 13-July-2011	Item Weight 968g
Scale 0.5		Drawing is Copyright Protected

4 | 3 | 2 | 1