

3 HOLES $\varnothing 5$
EQUISPACED
CSK TO SUIT
No. 8 WOODSCREW

$\varnothing 37$
PCD

R3

12 REF

45

24

R10

63

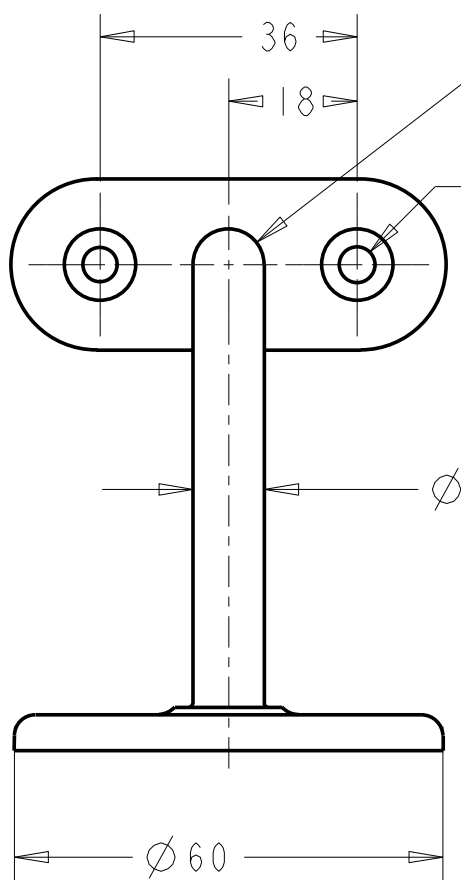
5

$\varnothing 15$
DEFORMATION
ACCEPTABLE

1

5

WELD PLATE TO ROD

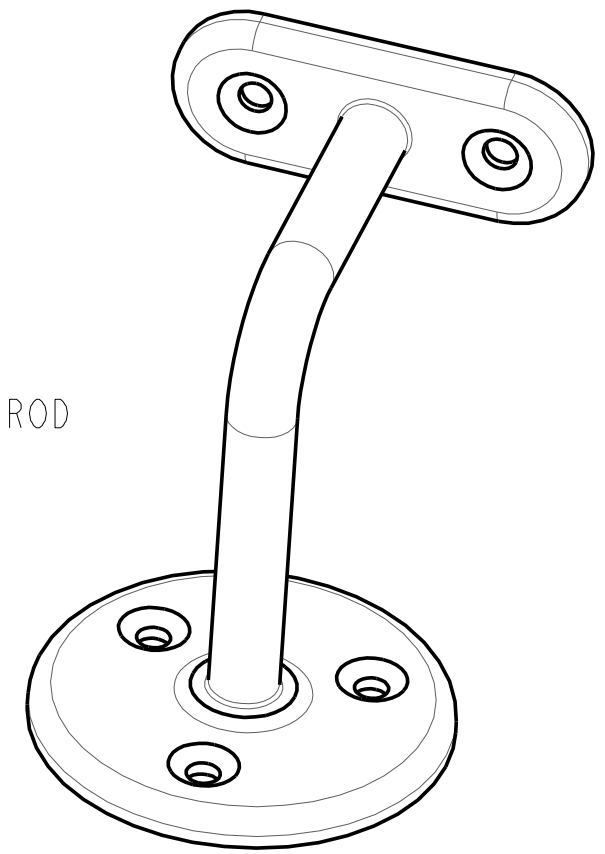


WELD PLATE TO ROD

2 HOLES $\varnothing 5$
CSK TO SUIT
No. 8 WOODSCREW

$\varnothing 10$

$\varnothing 60$



GENERAL VIEW
SCALE 1.000

NOTES

1. PAINT ALL OVER, COLOUR WHITE
2. MANUFACTURE FROM $\varnothing 10.5$ ROD AND 2.5mm PLATE
3. MATERIAL MILD STEEL

Unless Otherwise Stated, All Dimensions are in "mm"		
Company Name A.Perry and Co. (Hinges) Ltd		Product Name 236-63
Address Doulton Road, Cradley Heath, B64 5QW UK		
Drawn By- N.Hayward	Date 27-Apr-2010	Item Wt 0.12Kg
Drawing is Copyright Protected		