

1 2 3 4 5 6

A

A

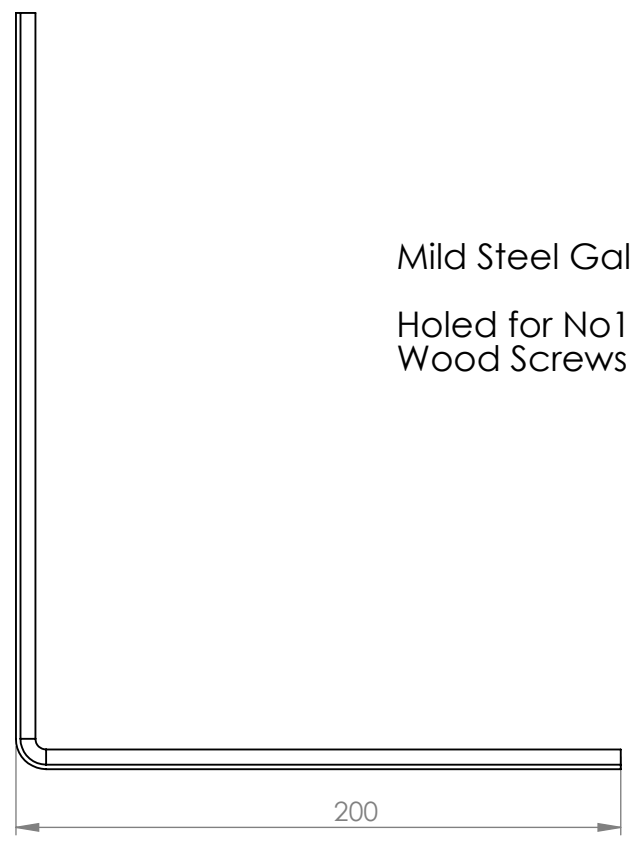
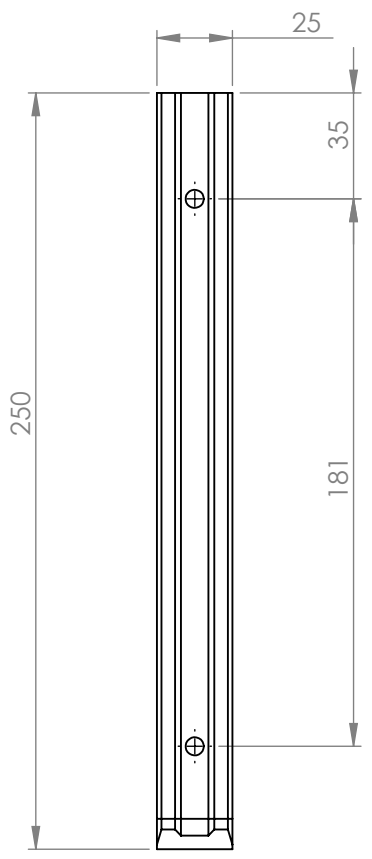
B

B

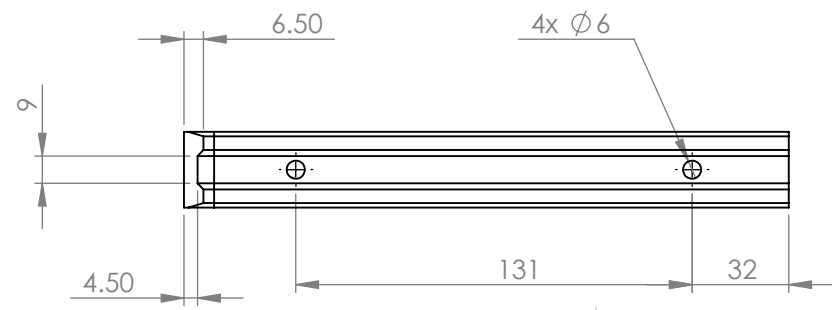
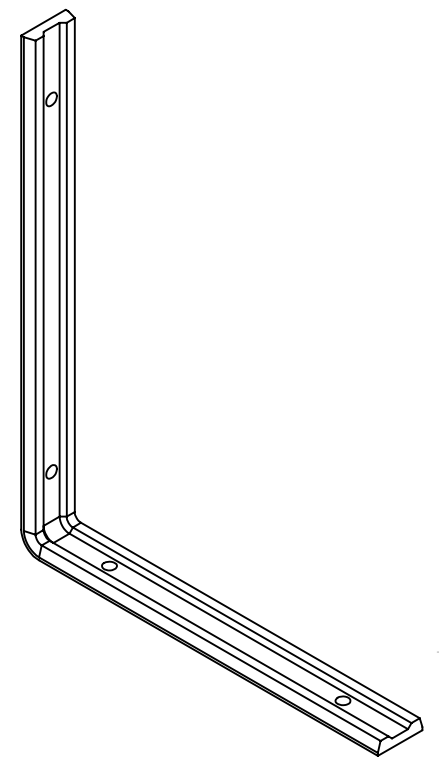
C

C

D



Mild Steel Galvanised  
 Holed for No10 Round Head  
 Wood Screws



Weight: 484g

247-0250GV  
 Fluted Angle Bracket 250mm



A4

1 2 3 4