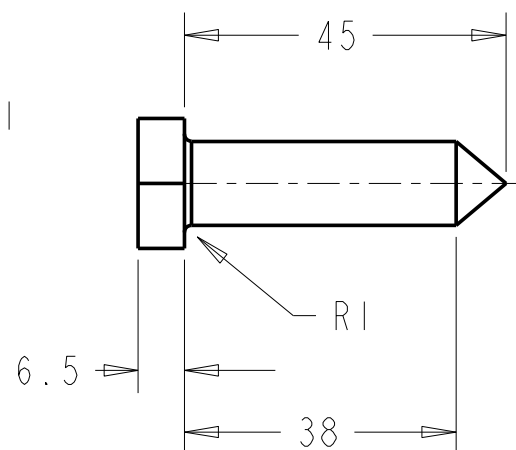
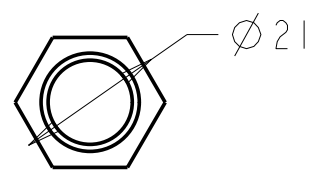


BRACKETS QTY 2

1. MATERIAL MILD STEEL

2. TREATMENT : ZINC PLATE, GALVANISED



COACH SCREWS QTY 4

1. MATERIAL MILD STEEL

2. TREATMENT : ZINC PLATE, GALVANISED

Unless Otherwise Stated, All Dimensions are in "mm"

Company Name  
A.Perry and Co. (Hinges) Ltd  
Address  
Doulton Road, Cradley Heath, B64 5QW UK



Product Name  
II2B  
CRANKED BRACKETS  
C/W COACH SCREWS

Drawn By- N.Hayward

Date 8-Oct-2010

Item Weight 1.041Kg

Drawing is Copyright Protected