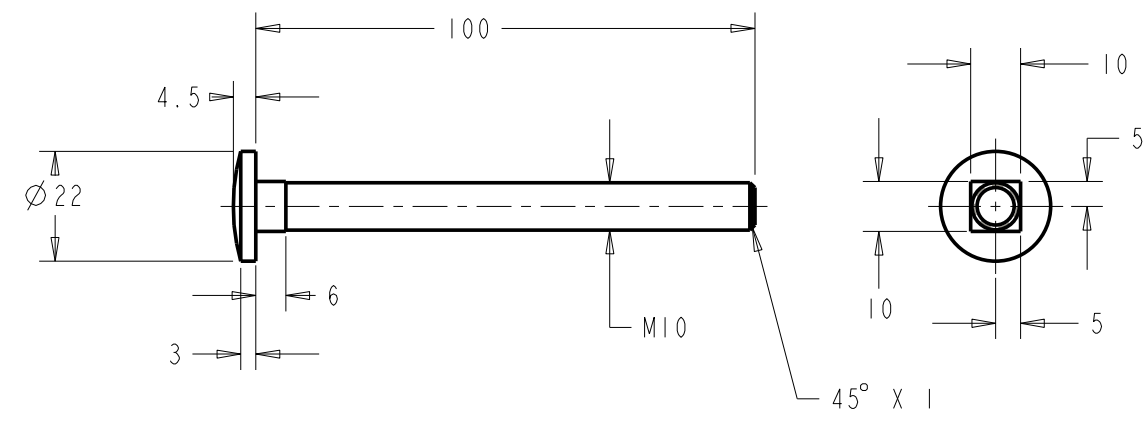
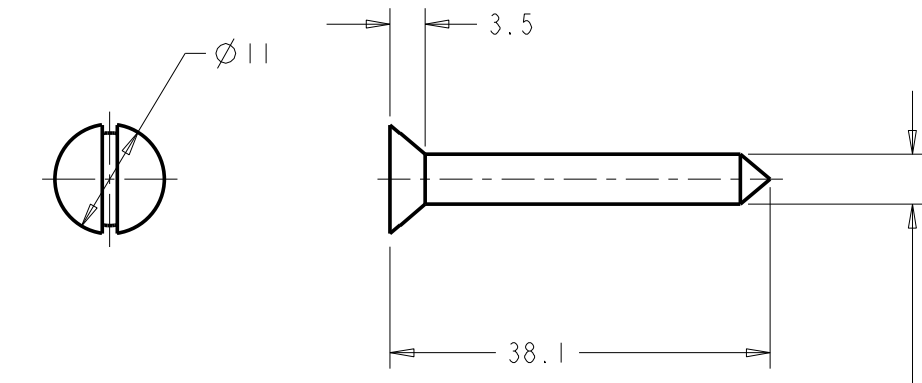
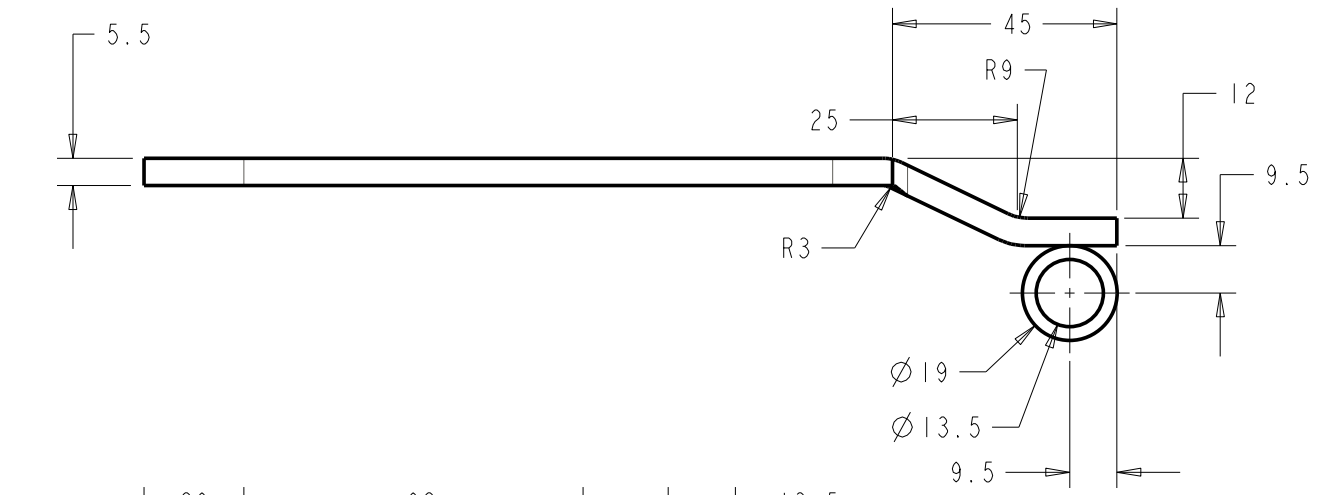


ITEM 2  
 MATERIAL : MILD STEEL  
 TREATMENT: BLACK POWDER COAT  
 QTY 1  
 SCALE 1.000

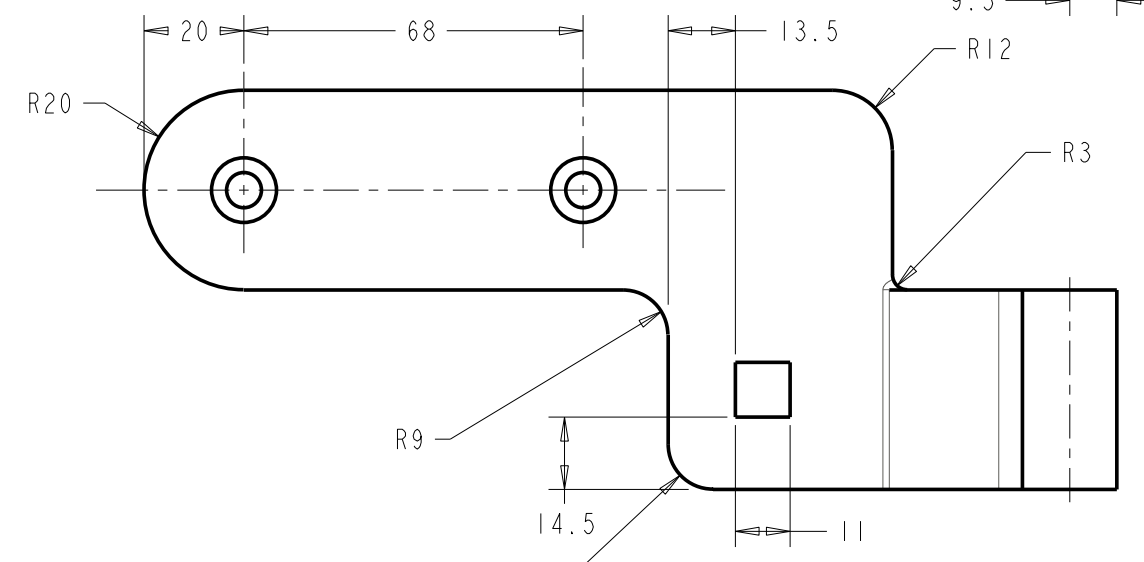



ITEM 4  
 MATERIAL : MILD STEEL  
 TREATMENT : BLACK POWDER COAT  
 QTY 2  
 SCALE 1.000



No. 12 X 1.5 LG  
 CSK HEAD SCREW

ITEM 5  
 MATERIAL : MILD STEEL  
 TREATMENT : BLACK POWDER COAT  
 QTY 13  
 SCALE 2.000



Unless Otherwise Stated, All Dimensions are in "mm"		
Company Name A.Perry and Co. (Hinges) Ltd Address Doulton Road, Cradley Heath, B64 5QW UK		Product Name 129LH  CURVED RAIL HINGES KIT
Drawn By- N.Hayward	Date 03-Oct-2010	Item Weight 1.84Kg
Drawing is Copyright Protected		