

THREADED BAR &

WIRE FORMED PRODUCTS

**MIDLANDS MANUFACTURER
OF THE YEAR - 2022**





No.2701M

Mild Steel Threaded Bar - Metric Grade 4.8

A high quality mild steel product manufactured to Grade 4.8 with a standard coarse thread.

• Galvanised available in M8+ only

Code	Length	Size	Finish
2701M	1 Metre	M5 up to M42	BZP-E/Galv, Self Colour, Galv'd
2703M	3 Metres	M5 up to M42	BZP-E/Galv, Self Colour, Galv'd
2709M	Cut to Length	M5 up to M42	BZP-E/Galv, Self Colour, Galv'd

Limited Availability



No.2713

Mild Steel Threaded Bar - Imperial Grade 4.8

A high quality mild steel product manufactured to Grade 4.8 with a Whitworth (BSW) or UNC coarse thread.

BSW (Whitworth)

Code	Length	Size	Finish
2713W	3 Foot	3/8"	Self Colour, Galv'd
2710W	10 Foot	5/8", 3/4", 1 1/2", 1 1/4"	Self Colour, Galv'd

UNC

Code	Length	Size	Finish
2713C	3 Foot	1/2"	BZP-E/Galv, Self Colour, Galv'd, BZP-Y/P



No.2721M

High Tensile Threaded Bar - Metric Grade 8.8

A premium quality high tensile product manufactured to Grade 8.8 with a standard coarse thread.

Code	Length	Size	Finish
2721M	1 Metre	M8 up to M48	BZP-E/Galv, Self Colour, Galv'd
2723M	3 Metres	M8 up to M48	BZP-E/Galv, Self Colour, Galv'd
2729M	Cut to Length	M8 up to M48	BZP-E/Galv, Self Colour, Galv'd

No.2791

High Tensile Threaded Bar - Metric Grade 10.9

A premium quality high tensile product manufactured to Grade 10.9 with a standard coarse thread.

Code	Length	Size	Finish
2791M	1 Metre	M16 up to M42	Self Colour
2793M	3 Metres	M16 up to M42	Self Colour
2799M	Cut to Length	M16 up to M42	Self Colour

No.2761

Stainless Steel Threaded Bar - Metric

A premium quality stainless steel product manufactured to Grade A2/304 with a metric coarse thread.

Code	Length	Size	Finish
2761A	1 Metre	M6 up to M24	Stainless Steel
2763A	3 Metres	M6 up to M24	Stainless Steel
2769A	Cut to Length	M6 up to M24	Stainless Steel



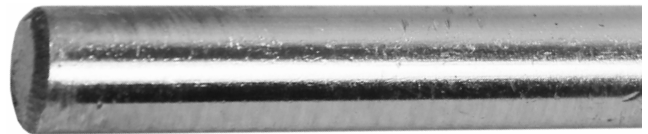
No.1744

Blank Bars

Straight cut plain bar manufactured to order on-site in the UK to your specification.

- Bulk and bundle quantities available
- Short lead times

Code	Type	Finish
1744	Grade 4.8 Mild Steel	BZP-E/Galv, Self Colour
1744A	A2/304	Stainless Steel



No.1750

45° Angle Cut Bars

Threaded bar with a 45° angle cut manufactured to order on-site in the UK to your specification with metric coarse thread.

- Bulk and bundle quantities available
- Short lead times

Code	Type	Finish
1750	Grade 4.8 Mild Steel	BZP-E/Galv, Self Colour
1751	Grade 8.8	BZP-E/Galv, Self Colour
1750A	A2/304	Stainless Steel



No.1746

Tie Bars

Plain bar with a metric coarse thread at one or both ends manufactured to order on-site in the UK to your specification.

- Bulk and bundle quantities available
- Up to 1m only

Code	Type	Size	Finish
1746	Grade 4.8 Mild Steel	M6 up to M16	BZP-E/Galv, Self Colour
1747	Grade 8.8	M6 up to M16	BZP-E/Galv, Self Colour
1746A	A2/304	M8 up to M48	Stainless Steel

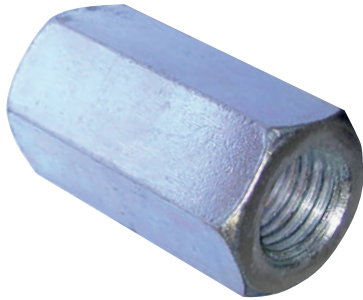


THREADED BAR

THREADED BAR ACCESSORIES

ENGINEERED U BOLTS

ENGINEERED FASTENERS



No.2781

Hexagonal Metric Studding Connectors

Used to connect two pieces of studding together that are the same thread diameter.

- DIN 6334 to suit Metric Coarse Thread
- Suitable for Self Colour and Zinc Plated bars

Code	Size	Finish	Box Qty	Ctn Qty	Barcode
2781-010ZP	M10 x 30mm	BZP-E/Galv	10	300	5023353054587
2781-012ZP	M12 x 36mm	BZP-E/Galv	10	250	5023353221613
2781-016ZP	M16 x 48mm	BZP-E/Galv	5	100	5023353054624
2781-024ZP	M24 x 72mm	BZP-E/Galv	1	40	5023353054662



No.2784

Long Spring Channel Nuts

Commonly used in the electrical trade, channel nuts are used to secure fittings along the length of a channel or for drops of Threaded Bar.

- Spring aids positioning

Code	Size	Finish	Box Qty	Ctn Qty	Barcode
27840006ZP	M6	BZP-E/Galv	100	400	5023353054723



No.2798

Metric Studding Reducing Connector

Used to connect two pieces of studding together that are different thread diameters.

- Suitable for Self Colour and Zinc Plated bars

Code	Size	Finish	Box Qty	Ctn Qty	Barcode
2798M12-M10ZP	M12 to M10	BZP-E/Galv	1	-	5023353256752
2798M16-M12ZP	M16 to M12	BZP-E/Galv	1	-	5023353227219



Wire Formed Products and Cut Threaded Bar
All Manufactured in the UK



No.6203

Engineered Grade 4.8 U Bolts - Standard Leg

• Manufactured to order

Code	A	B	C	D	Barcode
6203M-06048-021030ZP	M6 x 15NB	48mm	21mm	30mm	5023353236488
6203M-06053-027030ZP	M6 x 20NB	53mm	27mm	30mm	5023353236495
6203M-06060-034030ZP	M6 x 25NB	60mm	34mm	30mm	5023353236501
6203M-08064-034030ZP	M8 x 25NB	64mm	34mm	30mm	5023353170362
6203M-08070-042040ZP	M8 x 32NB	70mm	42mm	40mm	5023353170379
6203M-08090-060040ZP	M8 x 50NB	90mm	60mm	40mm	5023353170386
6203M-10064-034032ZP	M10 x 25NB	64mm	34mm	32mm	5023353236518
6203M-10070-042040ZP	M10 x 32NB	70mm	42mm	40mm	5023353170423
6203M-10080-050040ZP	M10 x 40NB	80mm	50mm	40mm	5023353170430
6203M-10090-060040ZP	M10 x 50NB	90mm	60mm	40mm	5023353170447
6203M-10105-076040ZP	M10 x 65NB	105mm	76mm	40mm	5023353170454
6203M-10116-090040ZP	M10 x 80NB	116mm	90mm	40mm	5023353170461
6203M-10140-114040ZP	M10 x 100NB	140mm	114mm	40mm	5023353170478
6203M-10168-140040ZP	M10 x 125NB	168mm	140mm	40mm	5023353170485
6203M-12116-090040ZP	M12 x 80NB	116mm	90mm	40mm	5023353170522
6203M-12140-114040ZP	M12 x 100NB	140mm	114mm	40mm	5023353170539
6203M-12170-140040ZP	M12 x 125NB	170mm	140mm	40mm	5023353170546
6203M-12202-170040ZP	M12 x 150NB	202mm	170mm	40mm	5023353170553
6203M-12270-220060ZP	M12 x 200NB	270mm	220mm	60mm	5023353170560
6203M-16270-220060ZP	M16 x 200NB	270mm	220mm	60mm	5023353170614

No.6202

Engineered Grade 4.8 U Bolts - Extended Leg

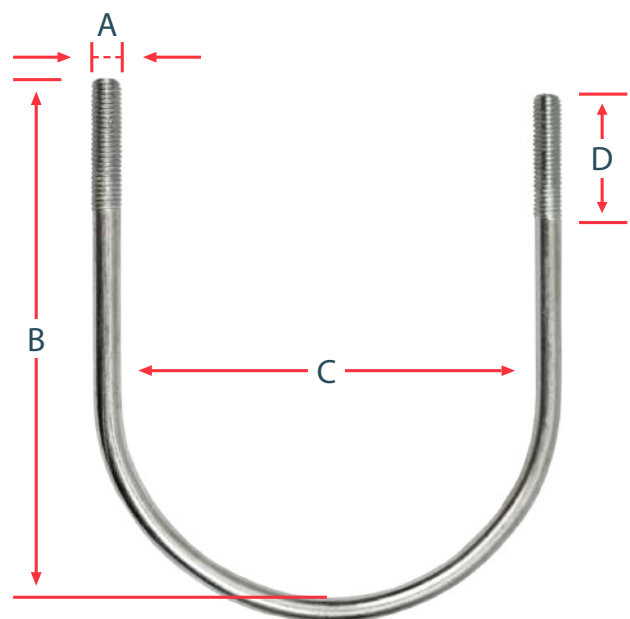
• Manufactured to order

Code	A	B	C	D	Barcode
6203M-08090-060040ZP	M10 x 25NB	111mm	34mm	70mm	5023353170386
6203M-10064-034032ZP	M10 x 32NB	122mm	42mm	90mm	5023353236518
6203M-10070-042040ZP	M10 x 40NB	127mm	50mm	90mm	5023353170423
6203M-10080-050040ZP	M10 x 50NB	140mm	60mm	90mm	5023353170430
6203M-10090-060040ZP	M10 x 65NB	150mm	76mm	90mm	5023353170447
6203M-10105-076040ZP	M10 x 80NB	168mm	90mm	90mm	5023353170454
6203M-10116-090040ZP	M10 x 100NB	191mm	114mm	90mm	5023353170461
6203M-10140-114040ZP	M10 x 150NB	240mm	170mm	90mm	5023353170478
6203M-10168-140040ZP	M12 x 80NB	168mm	90mm	90mm	5023353170485
6203M-12116-090040ZP	M12 x 100NB	193mm	114mm	90mm	5023353170522
6203M-12140-114040ZP	M12 x 125NB	213mm	140mm	90mm	5023353170539
6203M-12170-140040ZP	M12 x 150NB	240mm	170mm	90mm	5023353170546
6203M-12202-170040ZP	M12 x 200NB	298mm	220mm	95mm	5023353170553
6203M-12270-220060ZP	M12 x 250NB	347mm	276mm	100mm	5023353170560
6203M-16270-220060ZP	M16 x 200NB	298mm	220mm	95mm	5023353170614

Standard sizes listed
We can make most sizes M6 to M16



MANUFACTURED TO ORDER



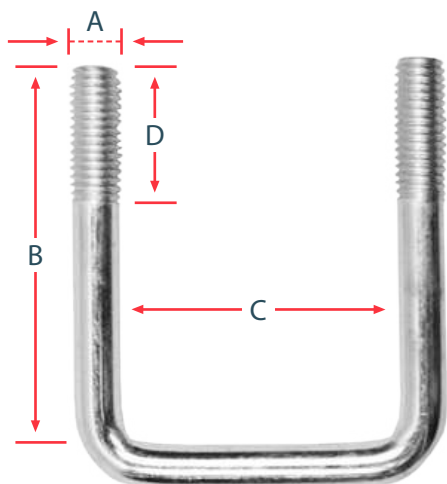
A = Diameter
B = Inside Length
C = Inside Width
D = Thread Length

THREADED BAR

THREADED BAR ACCESSORIES

ENGINEERED U BOLTS

ENGINEERED FASTENERS



A = Diameter
B = Inside Length
C = Inside Width
D = Thread Length

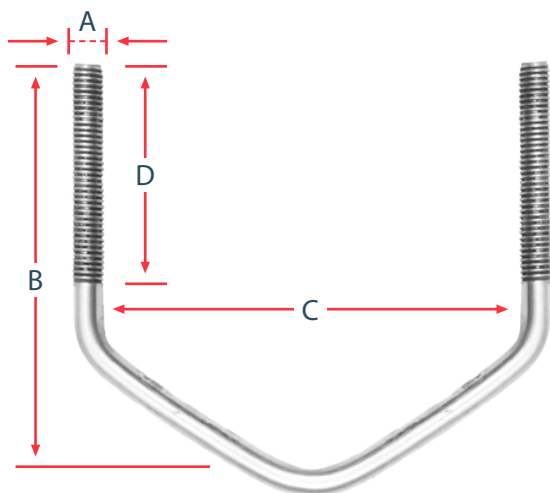
No.6207

Square U Bolt

Square 'U' or 'C' Bolts are used for clamping square or rectangular items.

- Available in all sizes
- Manufactured to order

A - Diameter	B - Inside Length	C - Inside Width	D - Thread Length
M6		To your requirements	
M8		To your requirements	
M10		To your requirements	
M12		To your requirements	
M16		To your requirements	



A = Diameter
B = Inside Length
C = Inside Width
D = Thread Length

No.6208

V Bolt / Aerial Bolt

V Bolts / Aerial Bolts can be used for multiple applications, most usually for clamping aerial poles and masts to brackets.

- Available in all sizes
- Manufactured to order

A - Diameter	B - Inside Length	C - Inside Width	D - Thread Length
M6		To your requirements	
M8		To your requirements	
M10		To your requirements	
M12		To your requirements	
M16		To your requirements	

Perry Engineered Fasteners - Manufactured to order

Whether you have a technical drawing or you know the specifications you need, A Perry can produce quantities large or small with short lead times, Simply tell us your requirement and we will remove the stress and hassle, delivering a high quality product to you.

Across the company A. Perry are proactive in our approach to you.

Our aim is to benefit you by delivering high quality products, on time, in budget, in specification - first time and every time. We know our success depends on your success.



No.6228

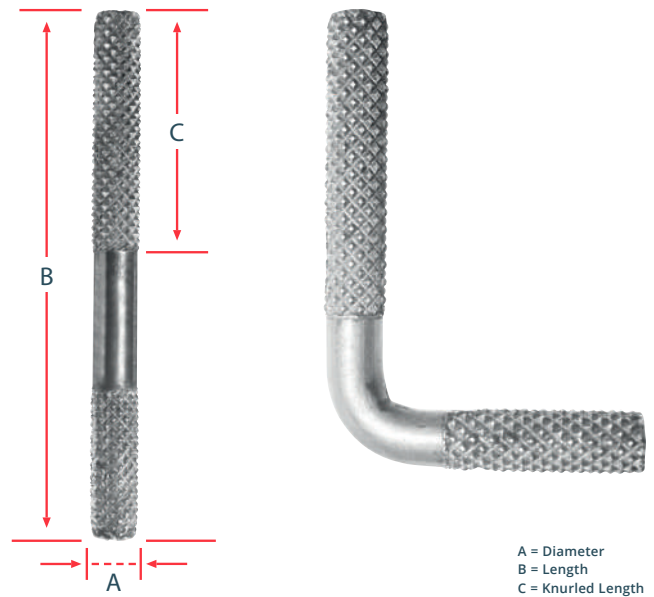
Knurled Pins and Studs

Knurled Pins are press fit fasteners that, when compressed into a hole, extrude radial forces to hold the fastener in place.

Ideal for use with plastic moulding applications and as anchor bolts for racking and HD shelving.

- Available with diamond knurling
- Various diameters, lengths and configurations available
- All knurled pins are special order

A - Diameter	B - Length	C - Knurled Length
M6	To your requirements	
M8	To your requirements	
M10	To your requirements	
M12	To your requirements	
M16	To your requirements	



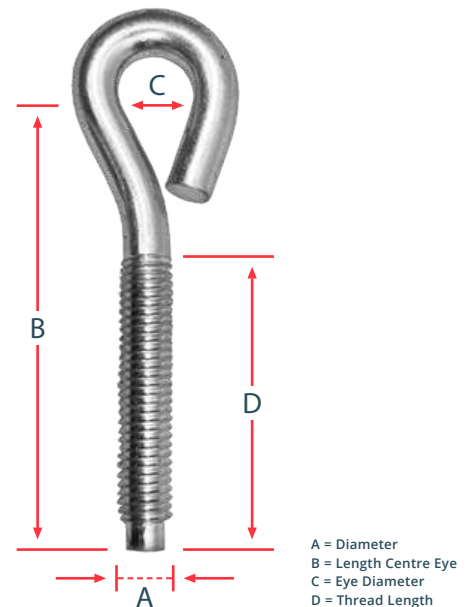
No.6214

Folded Eye Bolts

Threaded Folded Eyebolts, commonly used for steel cable and for wire fencing support.

- Multiple finishes
- Unwelded eye
- Fully threaded

A - Diameter	B - Length Centre Eye	C - Eye Diameter	D - Thread Length
M6	To your requirements		
M8	To your requirements		
M10	To your requirements		
M12	To your requirements		
M16	To your requirements		



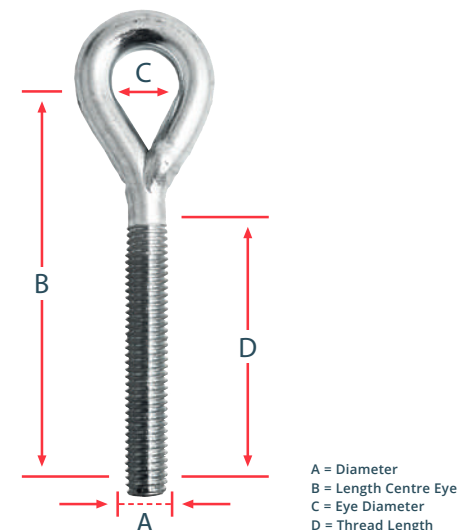
No.6221

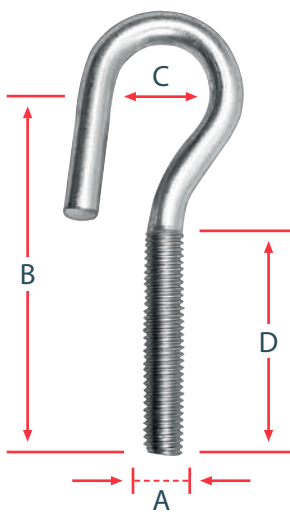
Welded Eye Bolts

An industrial/commercial grade eyebolt ideal for light duty non-lifting applications.

- Multiple finishes
- Welded eye
- Steel
- Not load tested for lifting
- Fully threaded

A - Diameter	B - Length Centre Eye	C - Eye Diameter	D - Thread Length
M6	To your requirements		
M8	To your requirements		
M10	To your requirements		
M12	To your requirements		
M16	To your requirements		





A = Diameter
B = Length Centre Eye
C = Eye Diameter
D = Thread Length

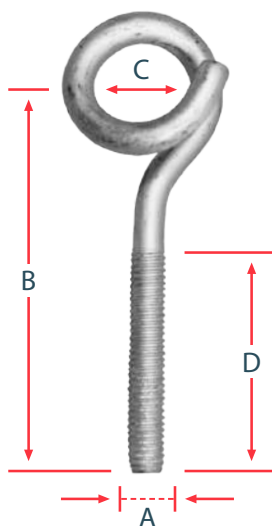
No.6215

Open Eye Bolts

Designed and manufactured to allow movement in the attached component. An industrial/commercial grade open eye bolt ideal for multiple uses, commonly used for steel cable and for wire support.

- Multiple finishes
- Unwelded eye
- Steel
- Not load tested for lifting
- Fully threaded

A - Diameter	B - Length Centre Eye	C - Eye Diameter	D - Thread Length
M6			To your requirements
M8			To your requirements
M10			To your requirements
M12			To your requirements
M16			To your requirements



A = Diameter
B = Length Centre Eye
C = Eye Diameter
D = Thread Length

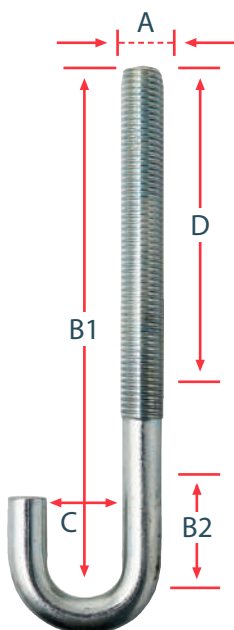
No.6216

Pig Tail Bolts

Threaded at one end, the other is worked to form a pigtail eyebolt. Pigtail eyebolts have multiple applications, with a fast, loop-on fixing ideal for securing wiring, cables, ropes and chains.

- Ideal for signage and banners
- For overhead suspension of electric and telephone cable

A - Diameter	B - Length Centre Eye	C - Eye Diameter	D - Thread Length
M6			To your requirements
M8			To your requirements
M10			To your requirements
M12			To your requirements
M16			To your requirements



A = Diameter
B1 = Inside Length 1
B2 = Inside Length 2
C = Eye Diameter
D = Thread Length

No.6204

J Bolts

J Bolts are J shaped fasteners, threaded on the flat side. Often used in structural applications for structural components.

As a leading J Bolt manufacturer, A. Perry can manufacture specialty J Bolts to virtually any specification.

A - Diameter	B - Inside Length	C - Eye Diameter	D - Thread Length
M6			To your requirements
M8			To your requirements
M10			To your requirements
M12			To your requirements
M16			To your requirements

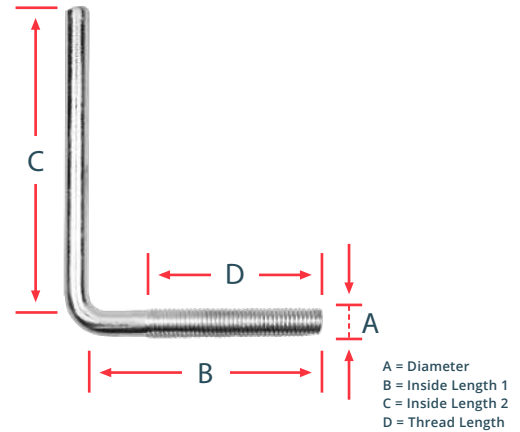
No.6209

L Bolts

L Bolts are commonly used to attach a plate member to concrete or masonry foundation and to provide an anchor for lightweight post bases and for other purposes.

A. Perry can create a custom bolt for multiple and custom applications with a variety of materials, finishes and threading.

A - Diameter	B - Inside Length 1	C - Inside Length 2	D - Thread Length
M6	To your requirements		
M8	To your requirements		
M10	To your requirements		
M12	To your requirements		
M16	To your requirements		



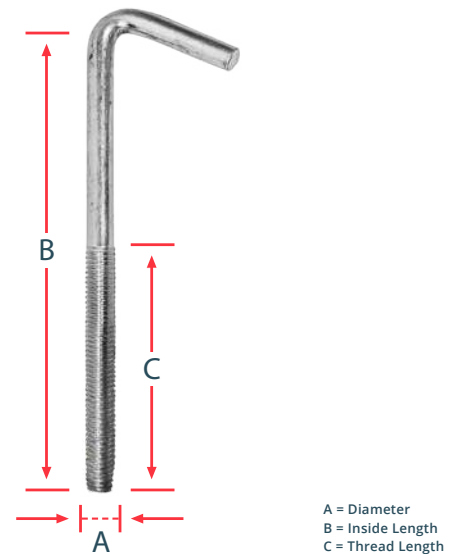
No.6210

Hook Bolts

Hook Bolts allow the suspension of cables, wire, chains and other similar components. Typically used for roofing applications.

Custom sizes can be manufactured to order within a short lead time.

A - Diameter	B - Inside Length	C - Thread Length
M6	To your requirements	
M8	To your requirements	
M10	To your requirements	
M12	To your requirements	
M16	To your requirements	



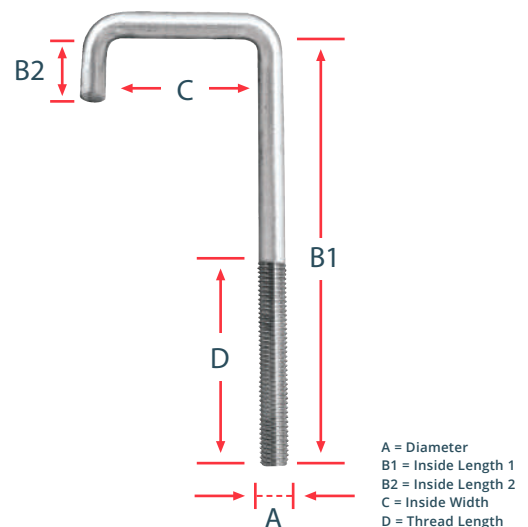
No.6219

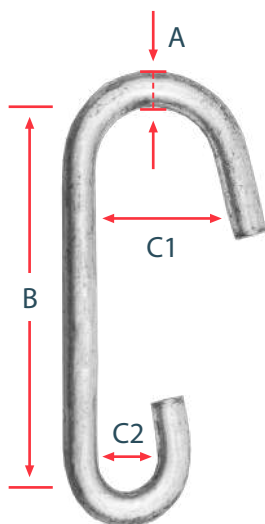
Square Hooks

Often used in combination with square concrete purlins, steel channel and beams.

These hook bolts can be manufactured to order in various materials, finishes and sizes.

A - Diameter	B - Inside Length	C - Inside Width	D - Thread Length
M6	To your requirements		
M8	To your requirements		
M10	To your requirements		
M12	To your requirements		
M16	To your requirements		





A = Diameter
B = Inside Length
C1 = Inside Width 1
C2 = Inside Width 2

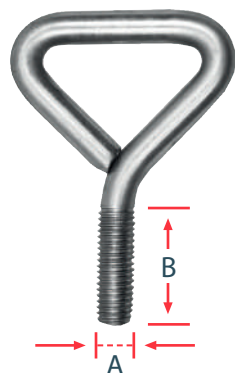
No.6211

Sling Hooks

Multi-purpose and durable, these double ended hooks are used to attach or connect slings, ropes or lengths of chain.

Ideal "Hook & Hang" for cables, pipes and ductwork.

A - Diameter	B - Inside Length	C - Inside Width
M6	To your requirements	
M8	To your requirements	
M10	To your requirements	
M12	To your requirements	
M16	To your requirements	



A = Diameter
B = Thread Length

No.6212

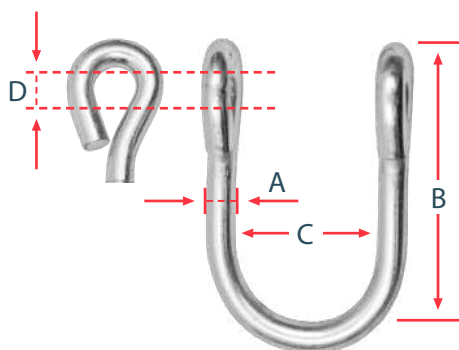
Clamp Screws

Often used in 'C' Clamps, 'G' Clamps and Vice Screw Clamps.

A multi-purpose engineered fastener designed for applications where the fixing is to be hand tightened.

- An industrial/commercial grade shackle ideal for light duty applications
- Multiple finishes
- Folded triangle finger-plate/eye
- Steel

A - Diameter	B - Thread Length
M6	To your requirements
M8	To your requirements
M10	To your requirements
M12	To your requirements
M16	To your requirements



A = Diameter
B = Inside Length
C = Inside Width
D = Eye Diameter

No.6213

U Shackles

Smooth even 'U' prevents snagging and cable damage.

An industrial/commercial grade shackle ideal for light duty applications.

- Multiple finishes
- Folded eye
- Steel
- Not load tested for lifting

A - Diameter	B - Inside Length	C - Inside Width	D - Eye Diameter
M6	To your requirements		
M8	To your requirements		
M10	To your requirements		
M12	To your requirements		
M16	To your requirements		

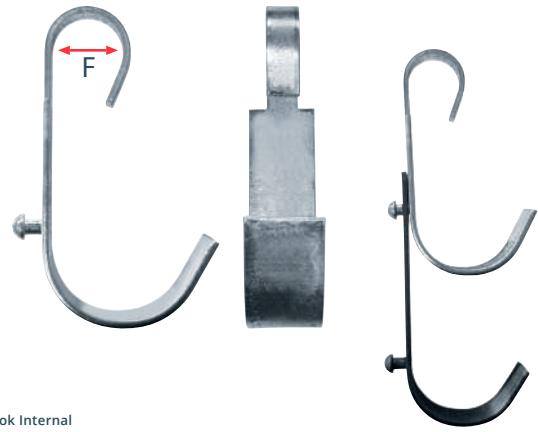
No.6217

Cable Hanger Primary

Cable Hangers are manufactured from mild steel flat bar, with a keyhole mounting hole and a mounting hook for placement.

- Galvanised for durability

A - Thickness	B - Length	C - Width	D - Depth	E - Hole Diameter
5mm	185mm	40mm	90mm	40mm



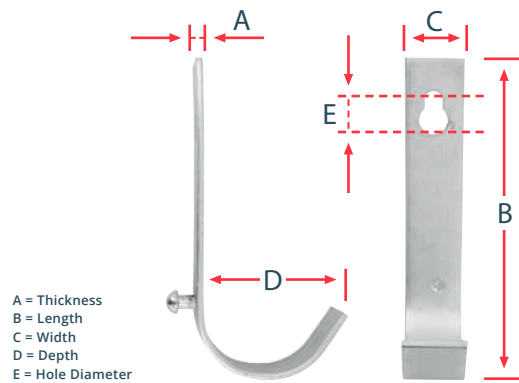
F = Hook Internal

No.6217

Cable Hanger Secondary

Attaches to Primary Cable Hanger

A - Thickness	B - Length	C - Width	D - Depth	E - Hole Diameter
5mm	200mm	40mm	90mm	25mm



A = Thickness
B = Length
C = Width
D = Depth
E = Hole Diameter

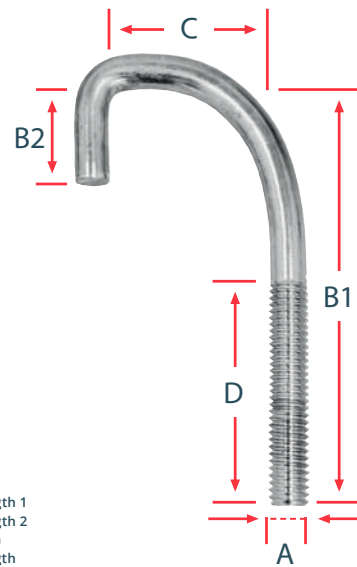
No.6218

Backstraps

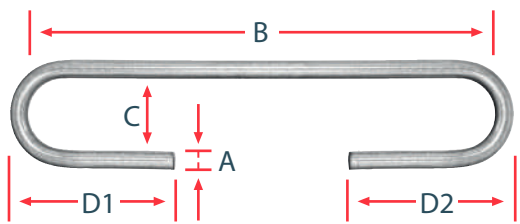
Backstraps are curved sharp angle fasteners, threaded on the flat side. Often used in structural applications for structural components and for jointing components.

As a leading industrial fastener manufacturer, A Perry can manufacture specialty fastening bolts to virtually any specification.

A - Diameter	B - Inside Length	C - Inside Width	D - Thread Length
M6	To your requirements		
M8	To your requirements		
M10	To your requirements		
M12	To your requirements		
M16	To your requirements		



A = Diameter
B1 = Inside Length 1
B2 = Inside Length 2
C = Inside Width
D = Thread Length



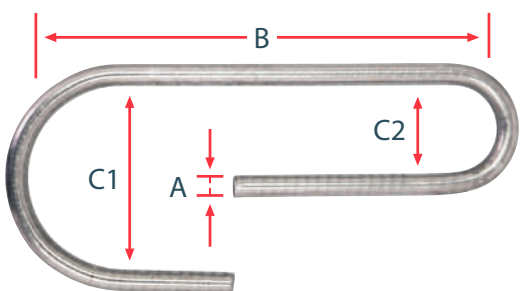
A = Diameter
B = Inside Length
C = Inside Width
D1 = Hook Length 1
D2 = Hook Length 2

No.6220

Tie Hooks

Often used as a heavy-duty wall tie and fixing, these Tie Hooks are excellent for temporary non-fixed jointing of chain or as a sling support.

A - Diameter	B - Inside Length	C - Inside Width	D - Hook Length
M6			To your requirements
M8			To your requirements
M10			To your requirements
M12			To your requirements
M16			To your requirements



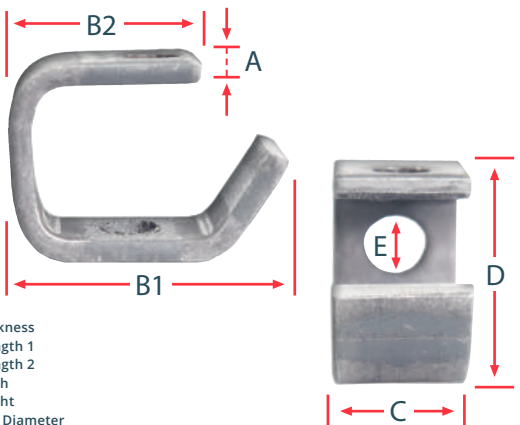
A = Diameter
B = Inside Length
C1 = Inside Width 1
C2 = Inside Width 2

No.6223

C Clip

Multi-functional support hook. Commonly used for binding different diameter pipes and ductwork.

A - Diameter	B - Inside Length	C - Inside Width
M6		To your requirements
M8		To your requirements
M10		To your requirements
M12		To your requirements
M16		To your requirements



A = Thickness
B1 = Length 1
B2 = Length 2
C = Width
D = Height
E = Hole Diameter

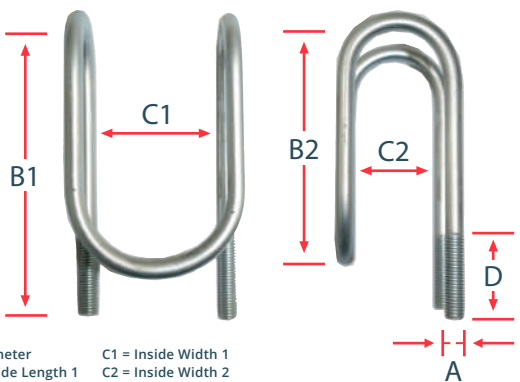
No.6222

Arch Clips

Used in conjunction with a hook bolt for attaching to an RSJ, allowing you to suspend anything that you need.

Used in suspended ceiling, fire protection and air conditioning.

A - Thickness	B1 - Length 1	B2 - Length 2	C - Width	D - Height	E - Hole Diameter
5mm	55mm	40mm	25mm	40mm	10mm



A = Diameter
B1 = Inside Length 1
B2 = Inside Length 2
C1 = Inside Width 1
C2 = Inside Width 2
D = Thread Length

No.6224

Rotaclamps

The answer to cross jointing pipe and ductwork at 90°. Contact for offset and alternate angles.

A - Diameter	B - Inside Length	C - Inside Width	D - Thread Length
M6			To your requirements
M8			To your requirements
M10			To your requirements
M12			To your requirements
M16			To your requirements